

**Specifications: 4 wire Colour video monitor**

- |                           |  |
|---------------------------|--|
| 1) TFT:                   | 4" TFT Screen                            |
| 2) Power Source:          | DC 15V                                   |
| 3) Power consumption:     | Standby 70ma / working 700ma             |
| 4) Resolution:            | 960 (W) x 234 (H)                        |
| 5) Call:                  | Two tone ring                            |
| 6) Operating temperature: | -10oC ~ +50oC                            |
| 7) Installation:          | Surface wall-mounted                     |
| 8) Dimension:             | 245(L) x 196(W) x 80(D)                  |
| 9) Adjustments:           | Internal Colour, brightness,<br>contrast |
| 10) Colour:               | Off white                                |



**Specifications: 4 wire B/W video monitor**

- |                           |  |
|---------------------------|--|
| 1) TFT:                   | 4" TFT Screen                            |
| 2) Power Source:          | DC 15V                                   |
| 3) Power consumption:     | Standby 70ma / working 700ma             |
| 4) Resolution:            | 960 (W) x 234 (H)                        |
| 5) Call:                  | Two tone ring                            |
| 6) Operating temperature: | -10oC ~ +50oC                            |
| 7) Installation:          | Surface wall-mounted                     |
| 8) Dimension:             | 245(L) x 196(W) x 80(D)                  |
| 9) Adjustments:           | Internal Colour, brightness,<br>contrast |
| 10) Colour:               | Off white                                |



Audio & Video door entry Access Control Intercoms

**Specifications: 4 Wire Colour Hands-free video monitor**

- |                           |                                      |
|---------------------------|--------------------------------------|
| 1) TFT:                   | 4" TFT Screen                        |
| 2) Power Source:          | DC 15V                               |
| 3) Power consumption:     | Standby 70ma / working 700ma         |
| 4) Resolution:            | 960 (W) x 234 (H)                    |
| 5) Call:                  | Two tone ring                        |
| 6) Operating temperature: | -10oC ~ +50oC                        |
| 7) Installation:          | Surface wall-mounted                 |
| 8) Dimension:             | 110(L) x 220(W) x 28(D)              |
| 9) Adjustments:           | External Colour, brightness & volume |
| 10) Colour:               | Silver                               |



**Specifications: Narrow style panel**

- |                           |                               |
|---------------------------|-------------------------------|
| 1) Power Source:          | DC 12V supplied by interphone |
| 2) Camera:                | 1/3" CCD/CMOS                 |
| 3) Lens:                  | F3.6 78o adjustable           |
| 4) Illumination:          | 0.1 Lux                       |
| 5) Light source:          | 4 LED Light                   |
| 6) Power consumption:     | 2.5 W                         |
| 7) Operating temperature: | -10oC ~ +50oC                 |
| 8) Installation:          | Wall-mounted                  |
| 9) Dimension:             | 128(L) x 40(W) x 29.5(H)      |
| 10) Weight:               | 0.50 Kg                       |
| 10) Colour:               | Light bronze                  |



## Wiring connection layout for CCL

The connection/s of all the CCL audio and video range is simple!

Each kit is sent with 1 x '2 bit' and 2 x '4 bit' plug connectors

The '2 bit' connector has a red and a black wire which connects to the power supply **ONLY**

The '4 bit' plug has red, black, purple and white wires that connects to the call panel, colour for colour

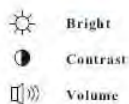
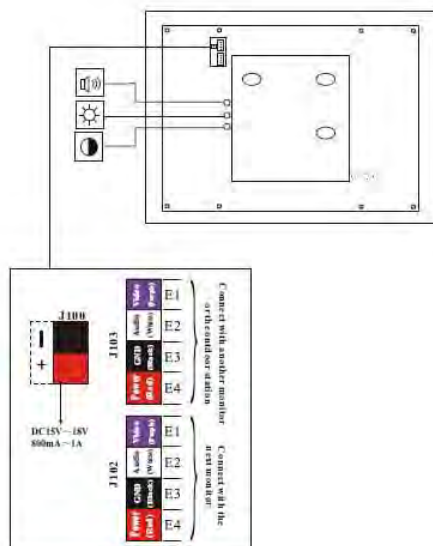
The remaining '4 bit' plug has red, black, purple and white wires that connects to an additional video monitor (if purchased), colour for colour

On the rear of each monitor is it detailed exactly where each plug connector should be fitted as illustrated below

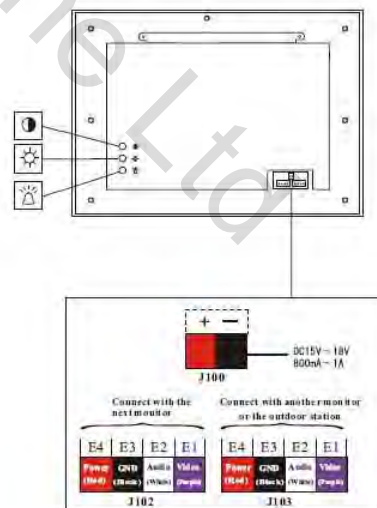
**DO NOT** connect the system with the power supply turned on as doing this could blow the video monitor which will invalidate any warranty

Please ensure that the plug connectors and coloured wires are fitted to the correct port, having these around the wrong way could blow the video monitor or the power supply which will invalidate the warranty

(3) Indoor Monitor: MT31C-K1  
MT31B-K1  
MT33C-K1

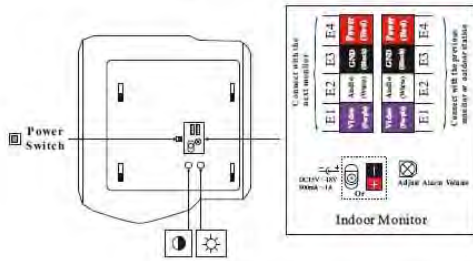


(4) Indoor Monitor: MT19C-K1

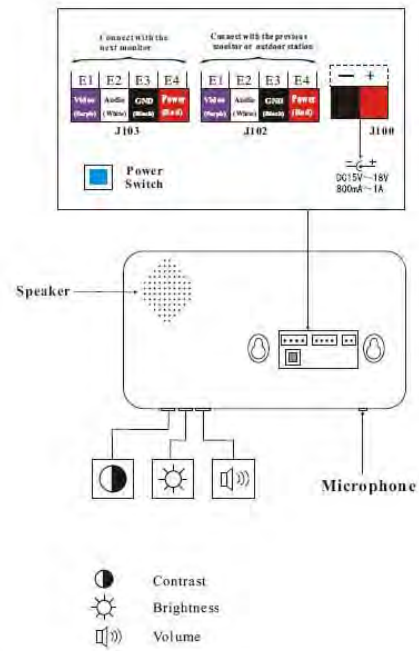


### 3. System diagram

(1) Indoor monitor : MT200B-K1  
MT200C-K1



(2) Indoor Monitor: MT300C-K1



Dooreentryonline Ltd

# CCL-V / VC

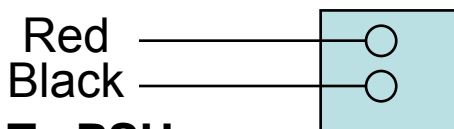
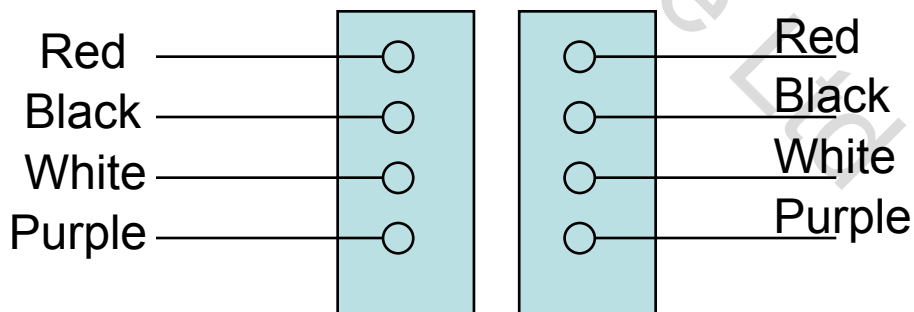
# TECHNICAL MANUAL

## PACK CONTENTS

- 1 x Monitor (V1- Mono, VC1- Colour)
- 1 x Outdoor Panel (Camera, Speaker, Call Button)
- 1 x Power Supply
- 1 x Bracket
- 1 x Fixing Kit and cables
- 1 x Instruction Manual

## Indoor Monitor Connections

**Outdoor Panel**

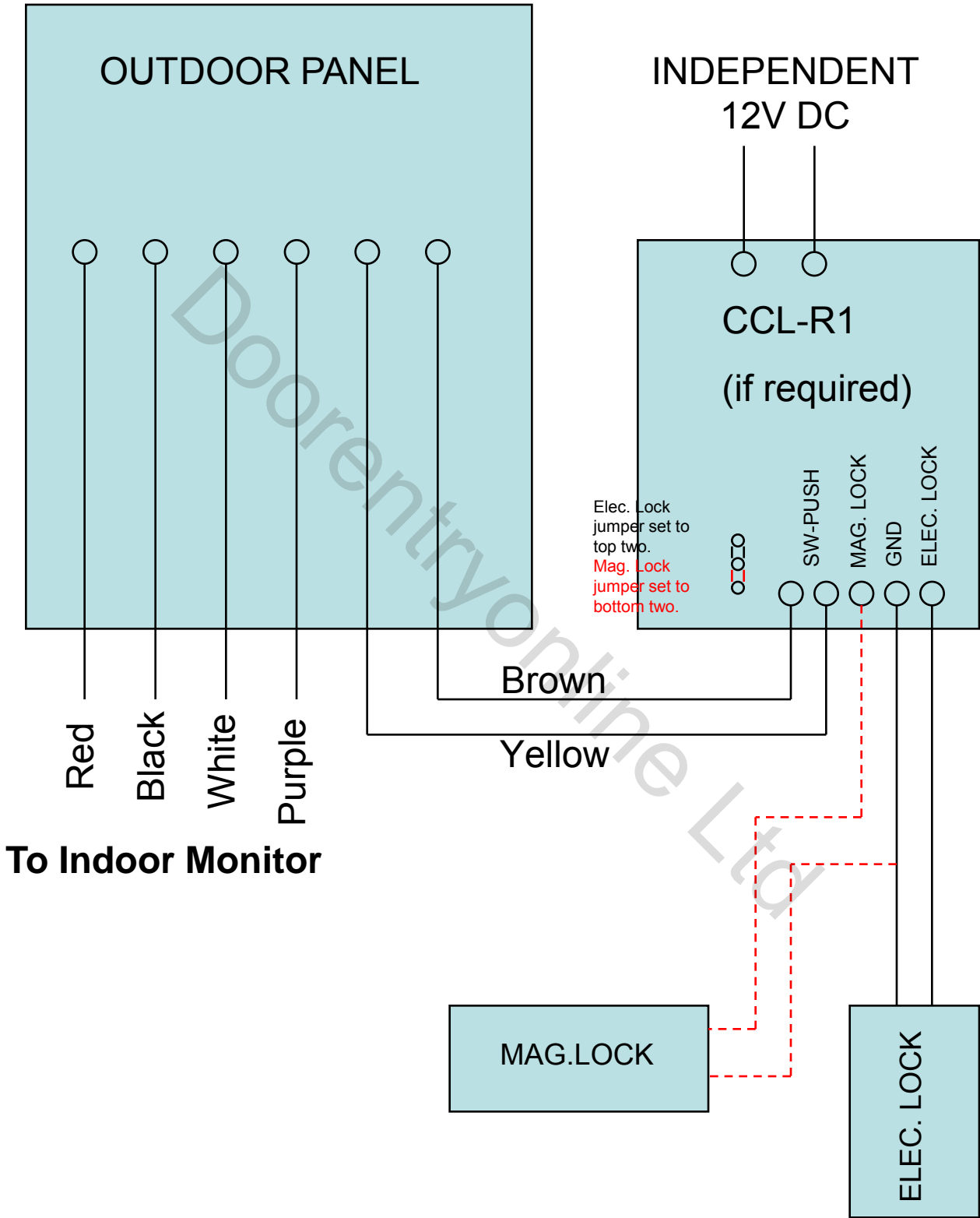


**To PSU**

**Provided**

**Next Monitor if required**

# EXTERNAL PANEL CONNECTIONS



## **SYSTEM CONNECTIONS**

### **Cable:**

Minimum :- 4 core cable required

A cable core diameter of no less than 0.5mm

The longest cable distance between the out door panel and the last monitor should be no more than 30-40mtrs

### **Cable configuration:-**

Power - Red

GND - Black

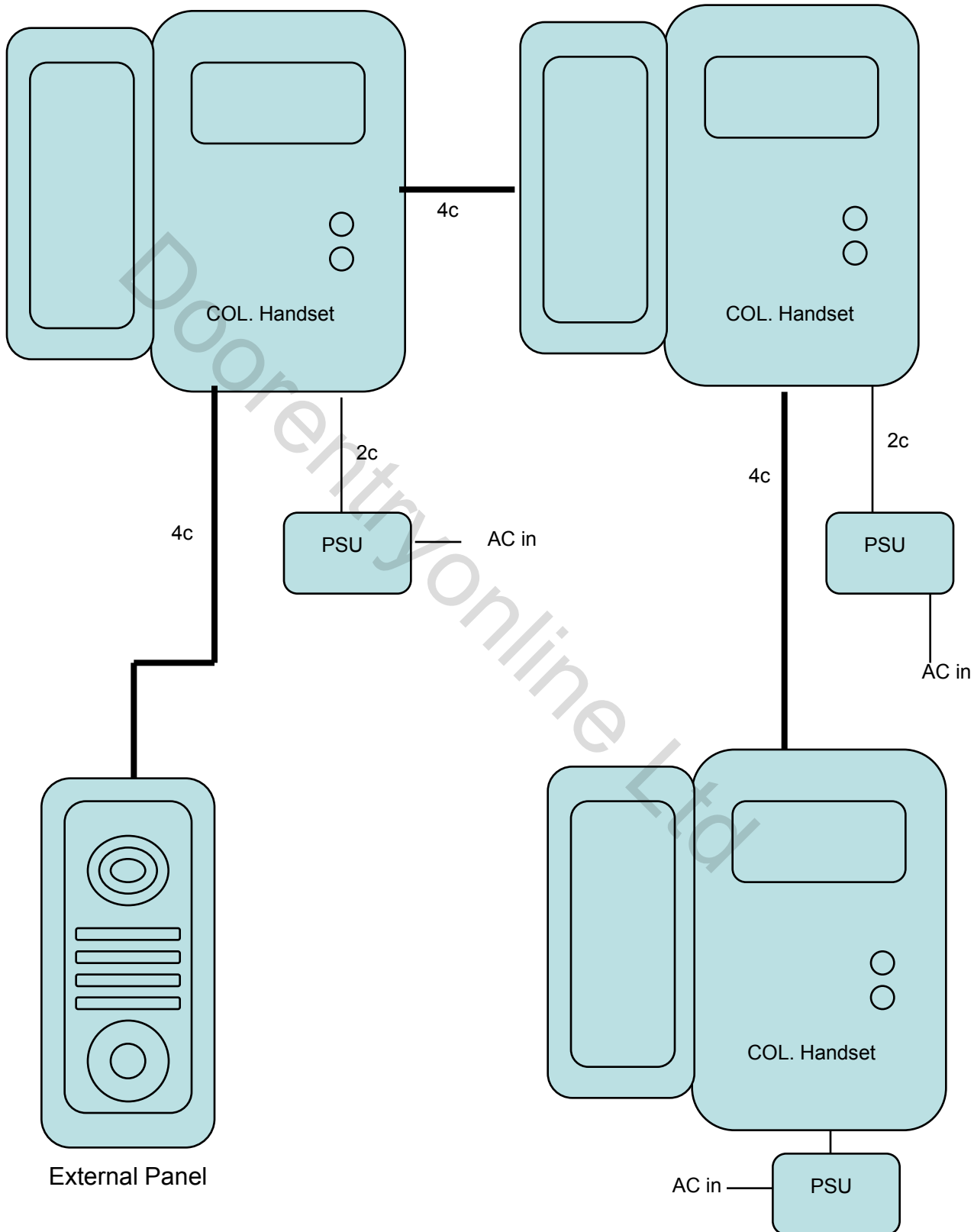
Audio - White

Video - Purple

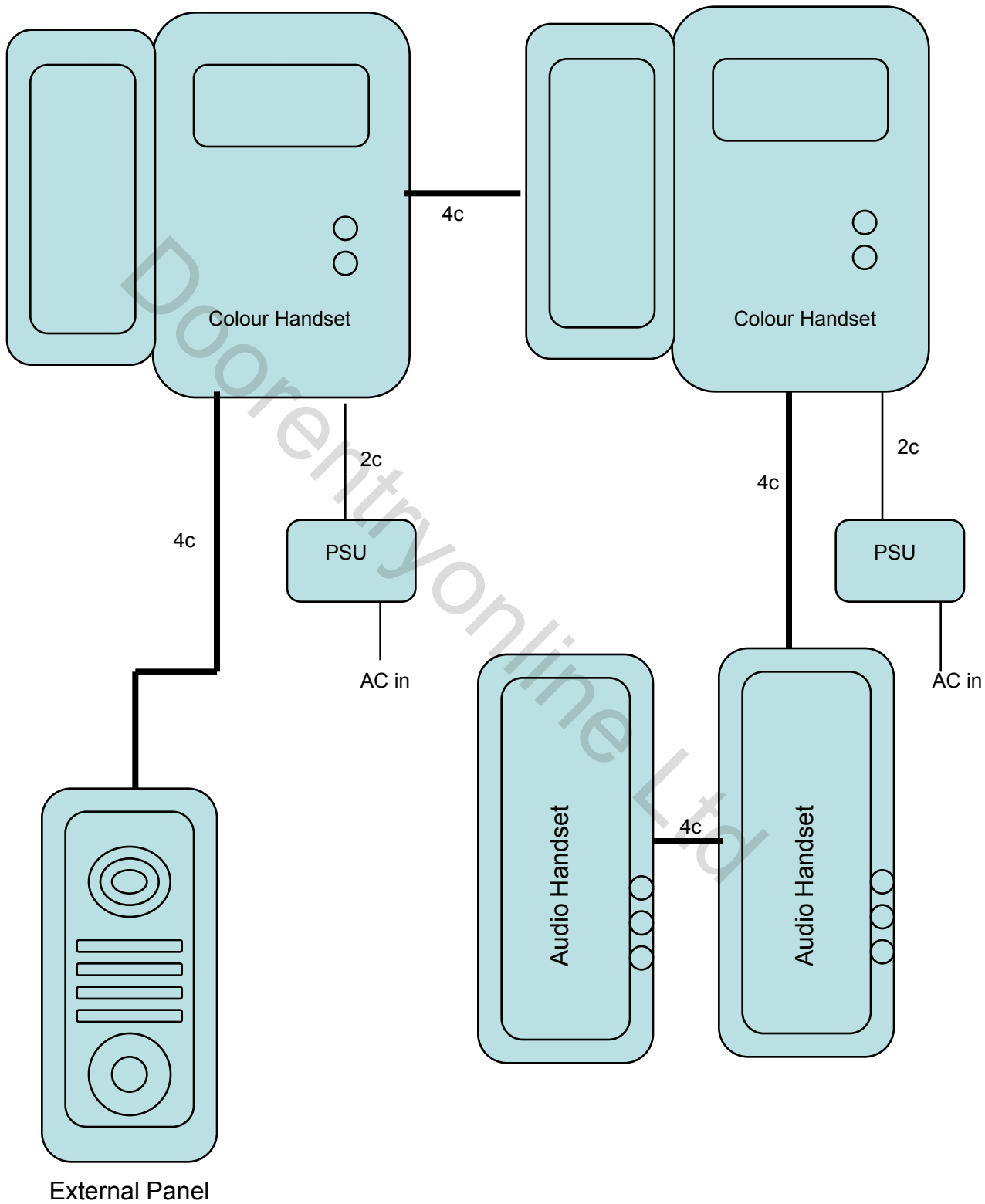
**\*Note: Do not use STP cable such as CAT5 or BTCW1308**

**Please use stranded 8 core alarm cable**

# Maximum number of components for COLOUR system



# Maximum number of components for COLOUR system



## Installation

1. The outdoor station and the indoor monitor should be positioned between 150cm and 175cm from the ground.
2. The outdoor station should not be installed near equipment, such as a TV set, video recorder or a computer system.
3. Do not open the back of the indoor monitor as it is dangerous and all warranties will be void.
4. Never shake, drop or throw the indoor monitor.
5. Power must be off whilst installing.

