

Wiring connection layout for CCL

The connection/s of all the CCL audio and video range is simple!

Each kit is sent with 1 x '2 bit' and 2 x '4 bit' plug connectors

The '2 bit' connector has a red and a black wire which connects to the power supply **ONLY**

The '4 bit' plug has red, black, purple and white wires that connects to the call panel, colour for colour

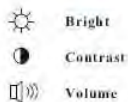
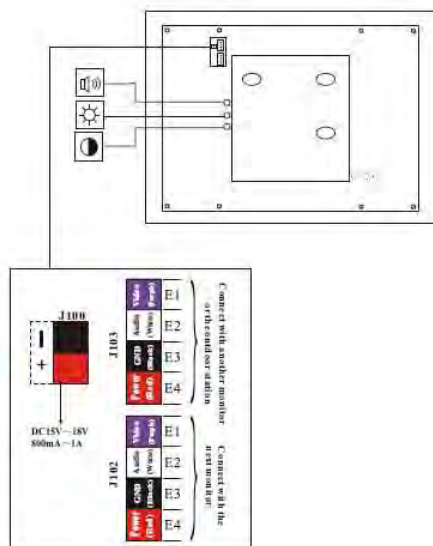
The remaining '4 bit' plug has red, black, purple and white wires that connects to an additional video monitor (if purchased), colour for colour

On the rear of each monitor is it detailed exactly where each plug connector should be fitted as illustrated below

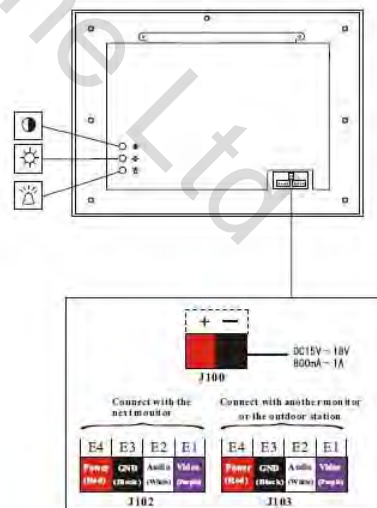
DO NOT connect the system with the power supply turned on as doing this could blow the video monitor which will invalidate any warranty

Please ensure that the plug connectors and coloured wires are fitted to the correct port, having these around the wrong way could blow the video monitor or the power supply which will invalidate the warranty

(3) Indoor Monitor: MT31C-K1
MT31B-K1
MT33C-K1



(4) Indoor Monitor: MT19C-K1



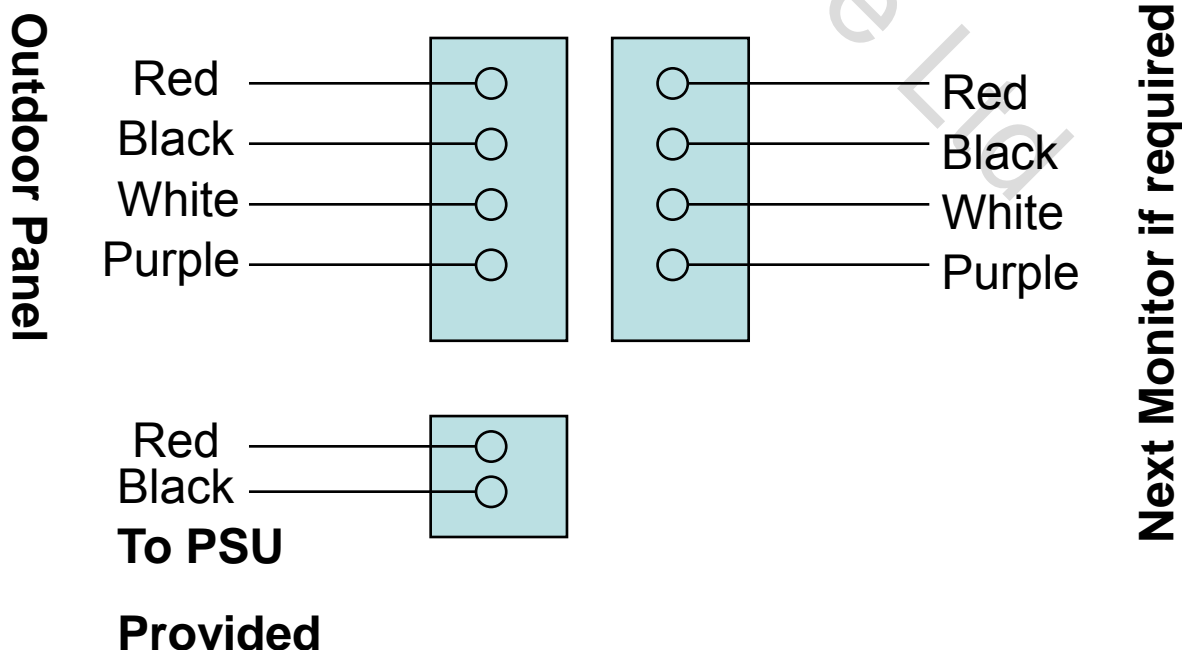
CCL-VK / VCK

TECHNICAL MANUAL

PACK CONTENTS

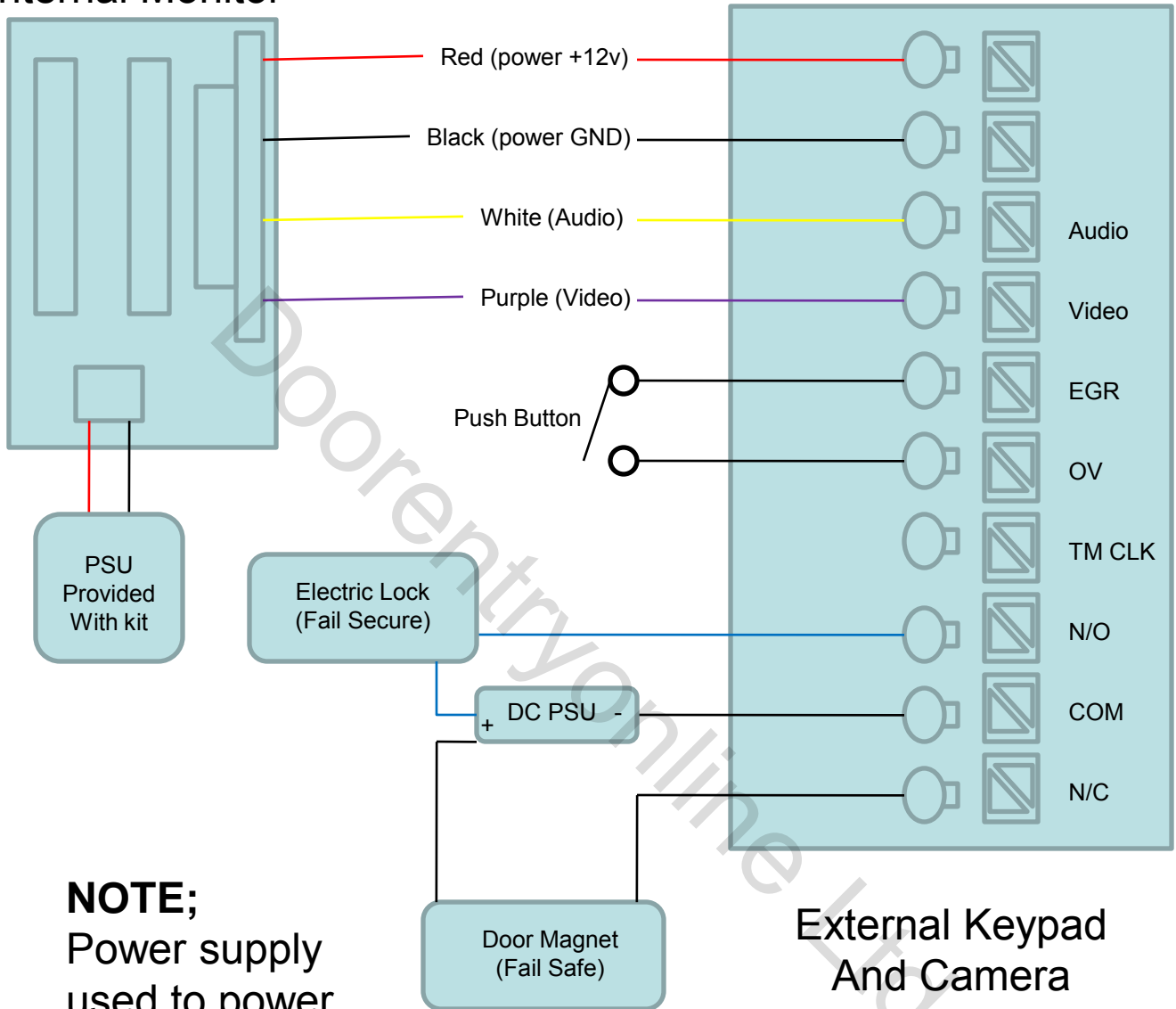
- 1 x Monitor (VK1- Mono, VCK1- Colour)
- 1 x Outdoor Panel (Camera, Speaker, Call Button and Keypad)
- 1 x Power Supply
- 1 x Bracket
- 1 x Fixing Kit and cables
- 1 x Instruction Manual

Internal Monitor Connections



EXTERNAL PANEL CONNECTIONS

Internal Monitor



SYSTEM CONNECTIONS

Cable:

Minimum :- 4 core cable required

A cable core diameter of no less than 0.5mm

The longest cable distance between the out door panel and the last monitor should be no more than 30-40mtr

Cable configuration:-

Power - Red

GND - Black

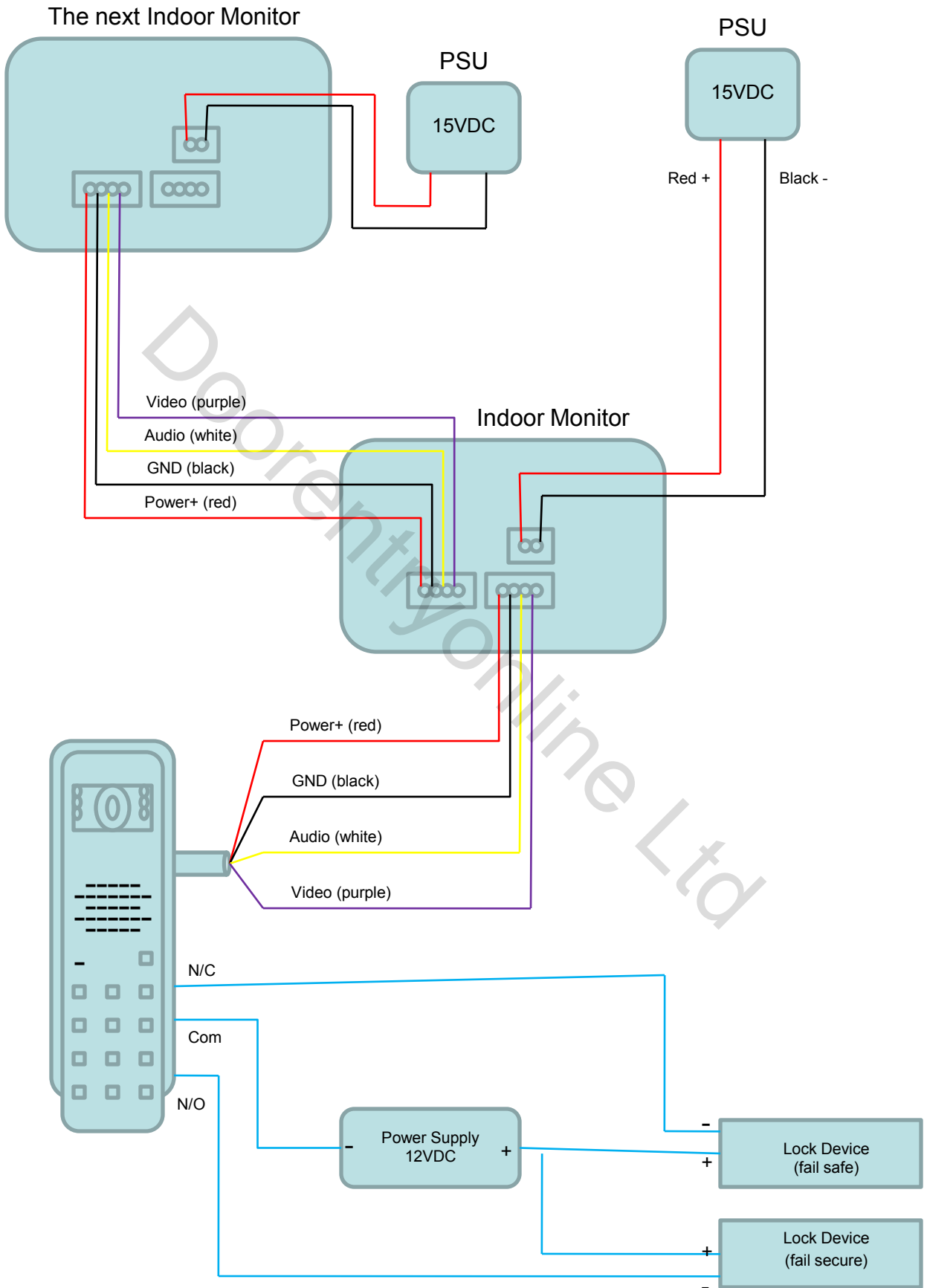
Audio - White

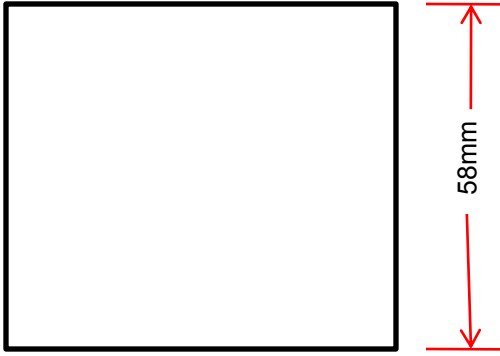
Video - Purple

***Note: Do not use STP cable such as CAT5 or BTCW1308**

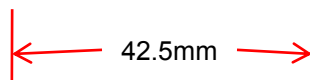
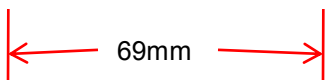
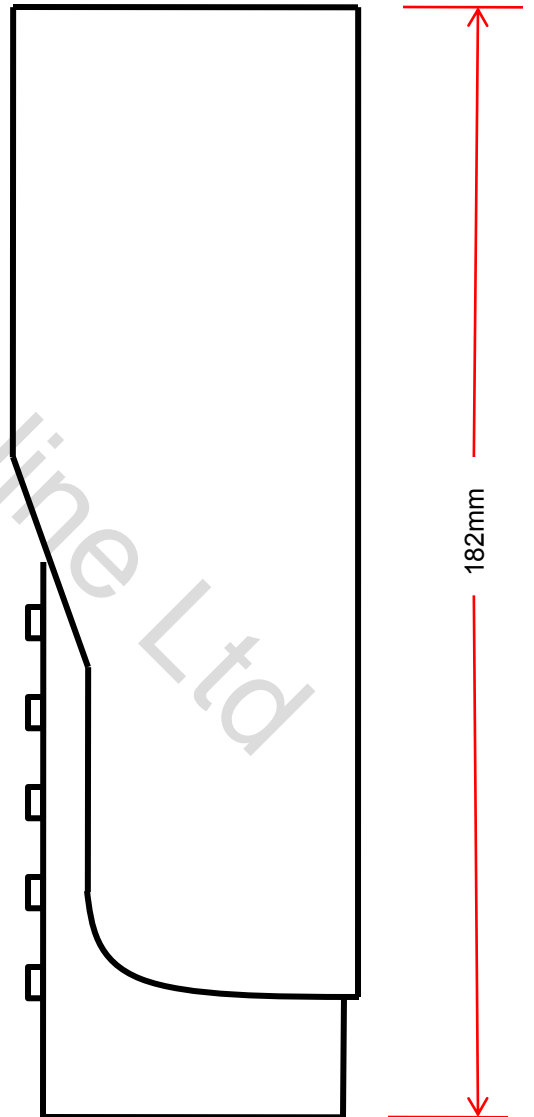
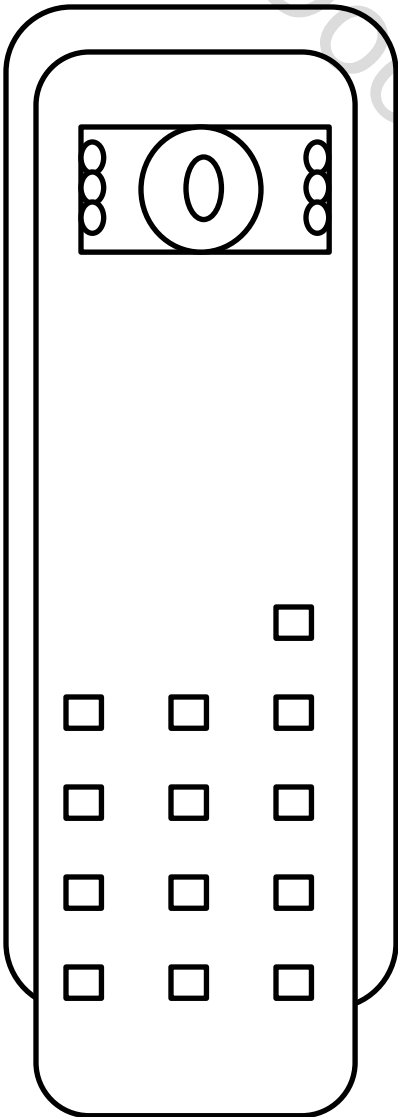
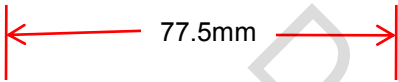
Please use 8 core stranded alarm cable

System Wiring Diagram





Outdoor panel Dimensions



Keypad Programming Instructions

Factory set master code is 1234

Entering Programming Mode

Press the * (star) button followed by your 4 digit master code.

A tone will be heard and red LED will start to flash, once the LED is flashing you are now in programming mode.

To exit programming mode press the *(star) key.

Adding User Codes

Firstly enter programming mode.

Then enter a location 01 to 40 (31 – 40 are the latching code locations).

Enter the desired 4 digit user code, a confirmation tone will be heard.

Press * (star) to exit programming.

Setting The Lock Time

The unit is factory set to 5 seconds, if the time needs changing, firstly enter programming mode.

Enter location 00

Enter desired lock operation time in a two digit format e.g. 09 for 9 seconds, 30 for 30 seconds up to a max of 99 seconds

Press *(star) to exit programming.

Installation

1. The outdoor station and the indoor monitor should be positioned between 150cm and 175cm from the ground.
2. The outdoor station should not be installed near equipment, such as a TV set, video recorder or a computer system.
3. Do not open the back of the indoor monitor as it is dangerous and all warranties will be void.
4. Never shake, drop or throw the indoor monitor.
5. Power must be off whilst installing.

