

What is a lock release and how do you fit it?

In simple terms a lock release is an electronic door catch requiring a low 12v voltage to power it. It has many names such as 'door keep', 'door strike' or 'door release' and so on – in the "trade" we call it a lock release

It replaces the catch on the door frame that you no doubt have already whether this is a surface mount catch or mortise type catch, our lock releases will work for you

We have two main types classed as 'Fail Open' and 'Fail Locked' both with the option of an 'Adjustable Jaw' and a 'Sash face plate'

What does Fail Open mean?

It means that the lock release requires a voltage to keep it locked secure and in the event of a power failure will the lock release be in the unlocked state – in other words the door can be opened by pushing/pulling it. This is typically used on new installations for communal buildings and certainly where there is a fire alarm system installed so that the main entrance door can be opened easily in the event of a fire

What does Fail Locked mean?

It means that the lock release requires a voltage to keep it un-locked and in the event of a power failure will the lock release be in the locked state – in other words the door will remain locked. This would be used for replacement on older systems or perhaps on residential domestic installations

What does Adjustable Jaw mean?

It means that the lock release 'Jaw' is adjustable via two small screws allowing you to move the lock release jaw inwards or outwards. Typically this would be used if the door is slightly twisted against the door frame therefore making the door hard to open or close. To eliminate "side pressure" of the lock catch against the lock case fitted in the door would you require a carpenter to re-position the catch, however, with a lock release that has an adjustable jaw can you simply re-align the jaw via the two screws and save yourself a few pounds! (unless the door is seriously out of line!)

Can you fit a lock release on a PVCu door?

Yes, you just remove the catch that is on the door frame and fit a lock release in its place with our Sash face plate!

There is no need to modify the PVCu lock case either and you do not have to change handles or key cylinder – you access the door in the same way as you did via a key and you exit the door via the handle as you did before

Below are a few pictures that might explain things a bit easier

Typical PVCu lock case



Typical PVCu lock catch



Dooreentryonline Ltd

A Sash lock release face plate

Fitted to a standard lock release will replace the 'typical PVCu lock catch'



Dooreentryonline Ltd

Flush mount lock release with "Sash face plate"



Dooreentryonline Ltd

Standard lock release



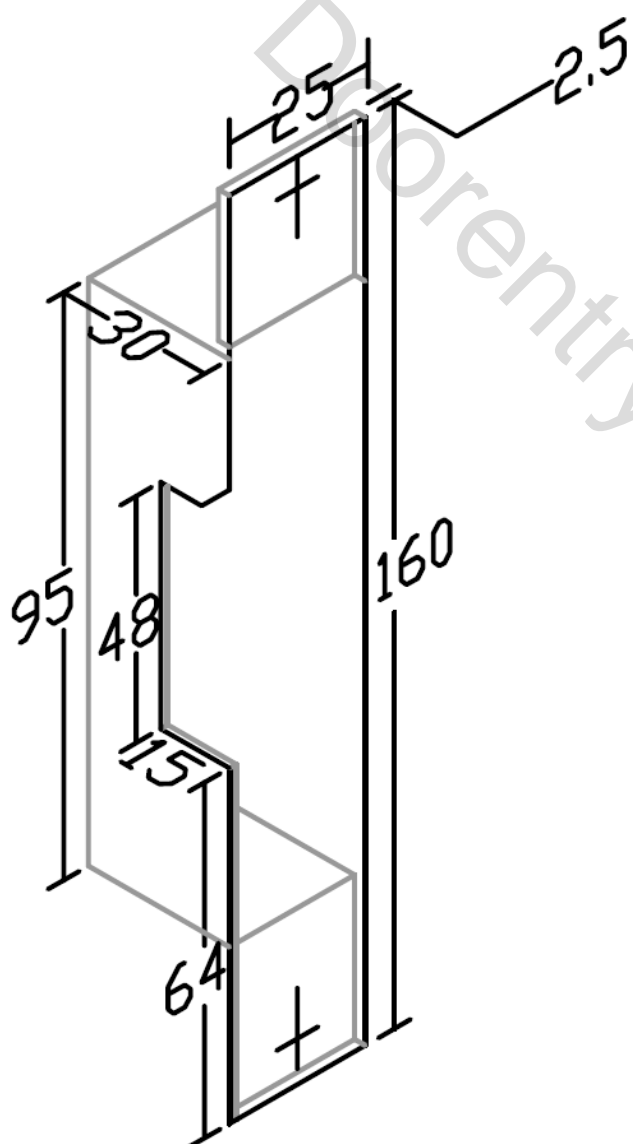
Surface mount lock release with "Adjustable Jaw"



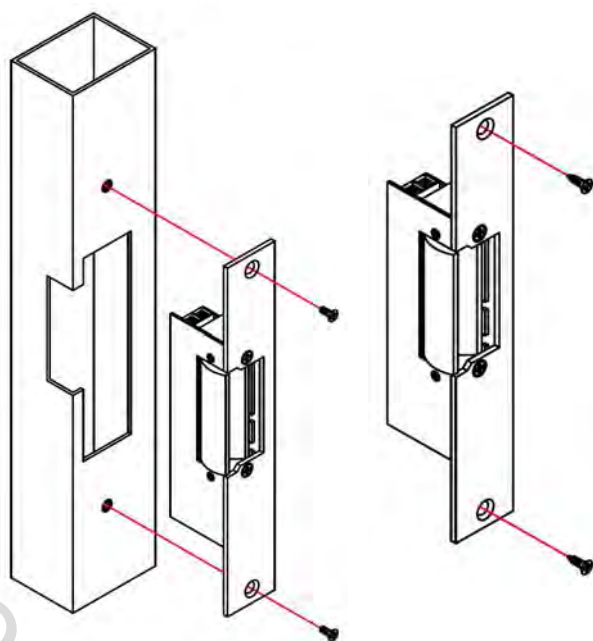
Dooreentryonline Ltd

ELECTRIC STRIKES SI 160(F) INSTALLATION

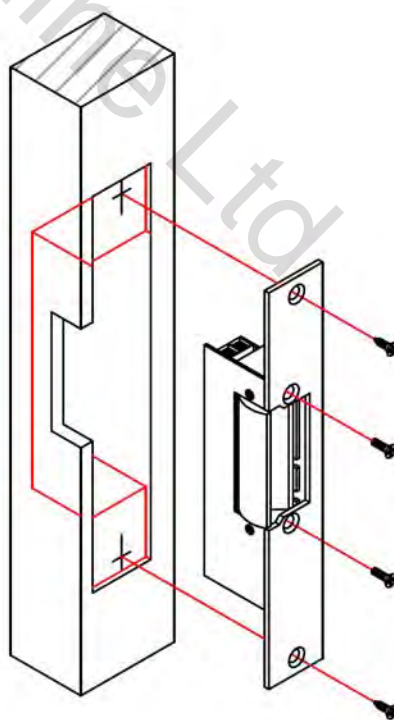
Dimensions of Installation



Stainless Steel/ Aluminum Door Frame

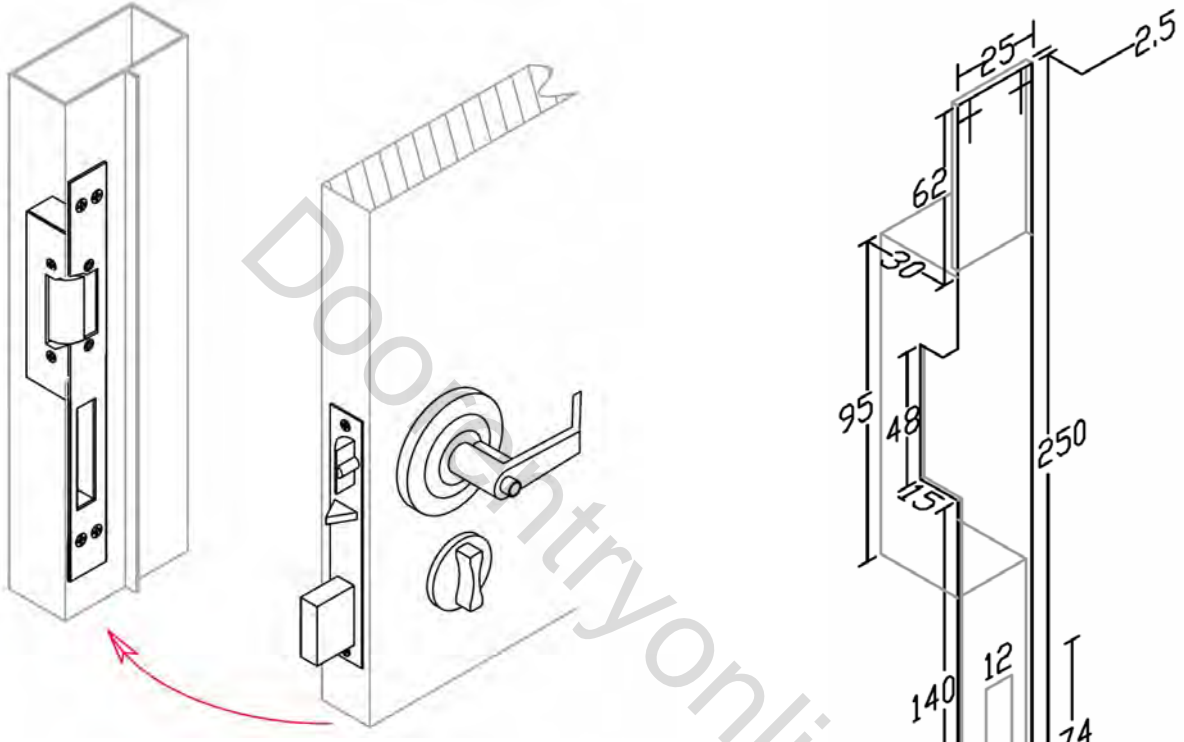


Wooden Door Frame



ELECTRIC STRIKES SI 250(F) INSTALLATION

Dimensions of Installation



Stainless Steel/ Aluminum Door Frame

Wooden Door Frame

