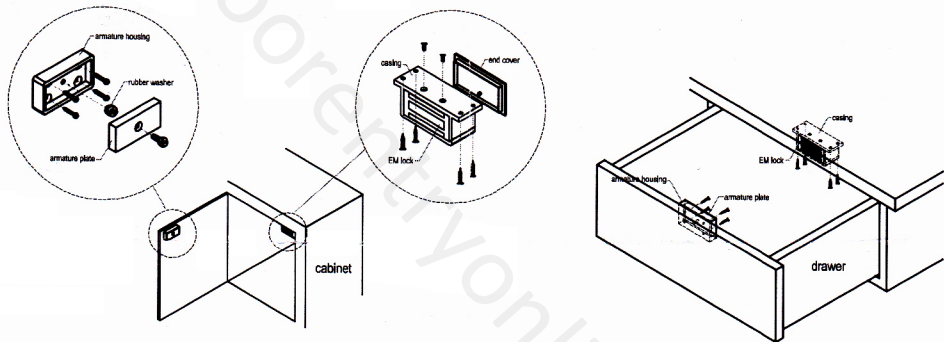


CABINET LOCK INSTALLATION INSTRUCTION



- 1) Install the armature plate housing by using the four #6 x 3/4" philip flat head self-tapping screws. Fixed the armature plate and rubber washer into housing with screw provided.
- 2) Insert the EM lock into the casing and fixed with screw provided. Place the end cover into back casing. Mark the mounting hole and install the plastic casing by using #6 x 3/4" philip flat head self-tapping screws.
- 3) Close and latch the door. Verify that the lock face and armature are making full contact.

SPECIFICATION:

Current Draw : 12V, 160mA;
24V, 80mA
Holding Force : 55kg
Factory Setting: 12VDC

IMPORTANT !

Before power supply is switched on, set the power selector jumper correctly

