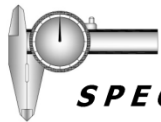


# EM10020 – 1200-LED



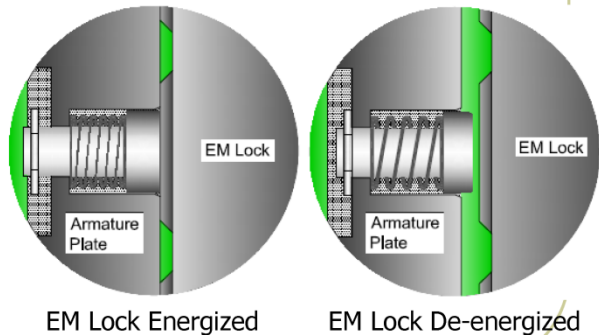
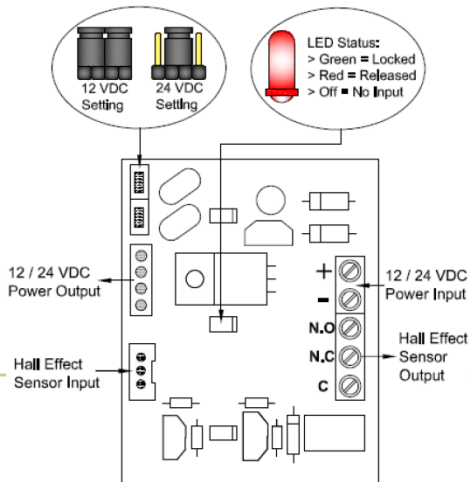
## SPECIFICATIONS:

- ▶ **Voltage Input** : 12 VDC / 24 VDC
- ▶ **Current Draw** : 12V / 500mA ; 24V / 250mA (±5%)
- ▶ **Holding Force** : Up to 1200 lbs (545 kg)
- ▶ **Hall Effect Contact** : SPDT rated 2A at 24 VDC
- ▶ **Anti-Rust Surface Treatment** : Blue Zinc Plating
- ▶ **Operating Temperature** : 0~55° C ( 32~131° F)
- ▶ **Operating Humidity** : 0~95% ( non condensing)
- ▶ **Weight ( Magnet )** : 2.5 kg (±1%)
- ▶ **Dimensions** : Magnet - (L)266x(W)67x(T)39 mm  
Armature - (L)185x(W)61x(T)16.5 mm



## FEATURES:

- ▶ **Dual Voltage Selectable (12 VDC or 24 VDC)**
- ▶ **Low Current Consumption**
- ▶ **Reliable Holding Force**
- ▶ **Hall Effect Sensor Monitoring Output**
- ▶ **Green/Red LED Indication for EM Lock Status**
- ▶ **Durable and Silence Operation**
- ▶ **Cosmeticize Anodized Aluminum Casing**
- ▶ **Surge & Spike Protection PCB**
- ▶ **Anti-Tamper Jam Nuts**
- ▶ **Full Range of Optional Brackets**
- ▶ **Anti Residual Magnetism Kick Off Button**



### IMPORTANT!

Set the jumper position according to the power input correctly before switch ON the power.