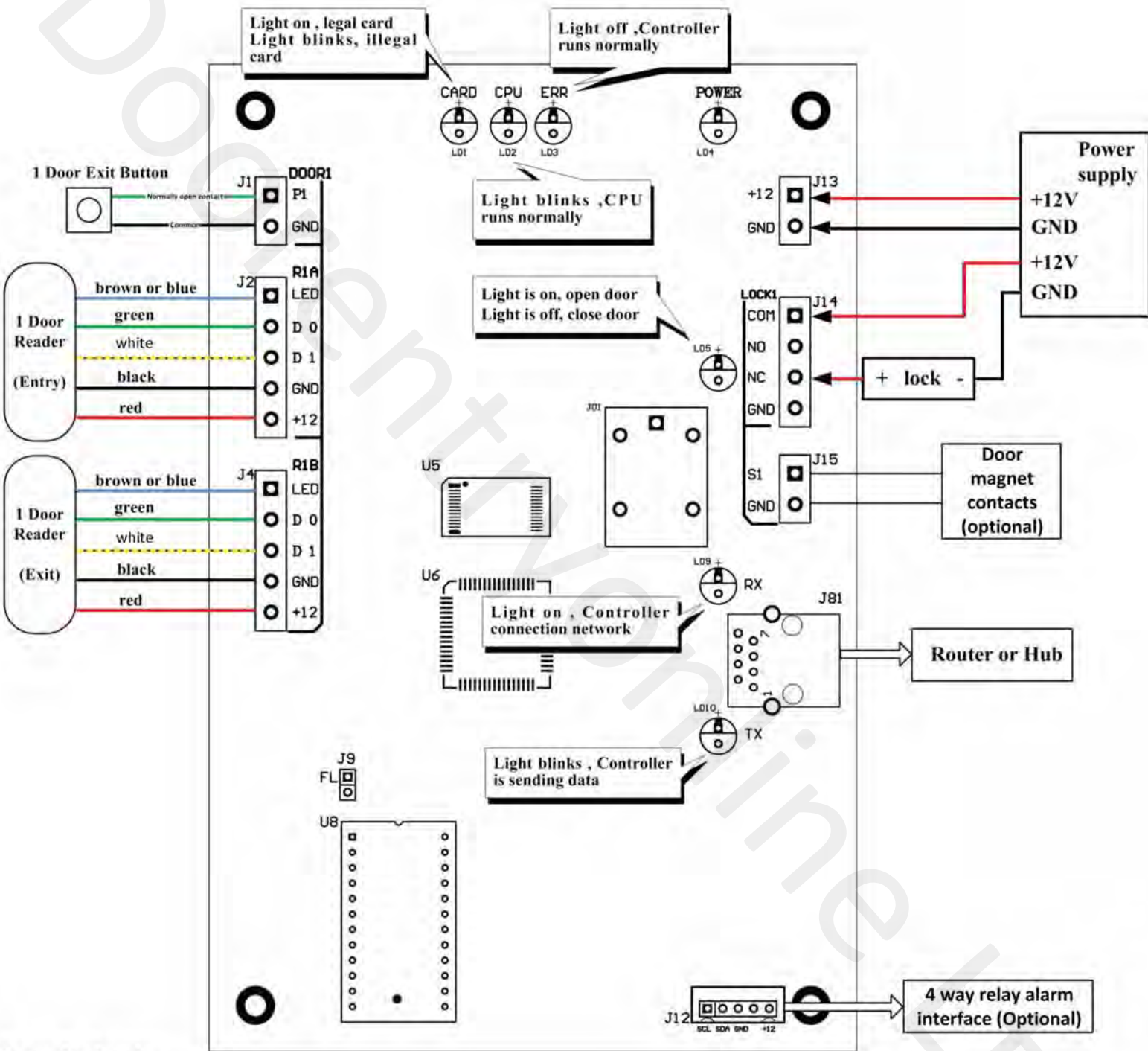


Drawing for 2001.Net



Important note:
 Exit button connections required are "push to make" (Common & normally open)
 Lock device must be set to 12v dc

Single gate bidirectional network controller