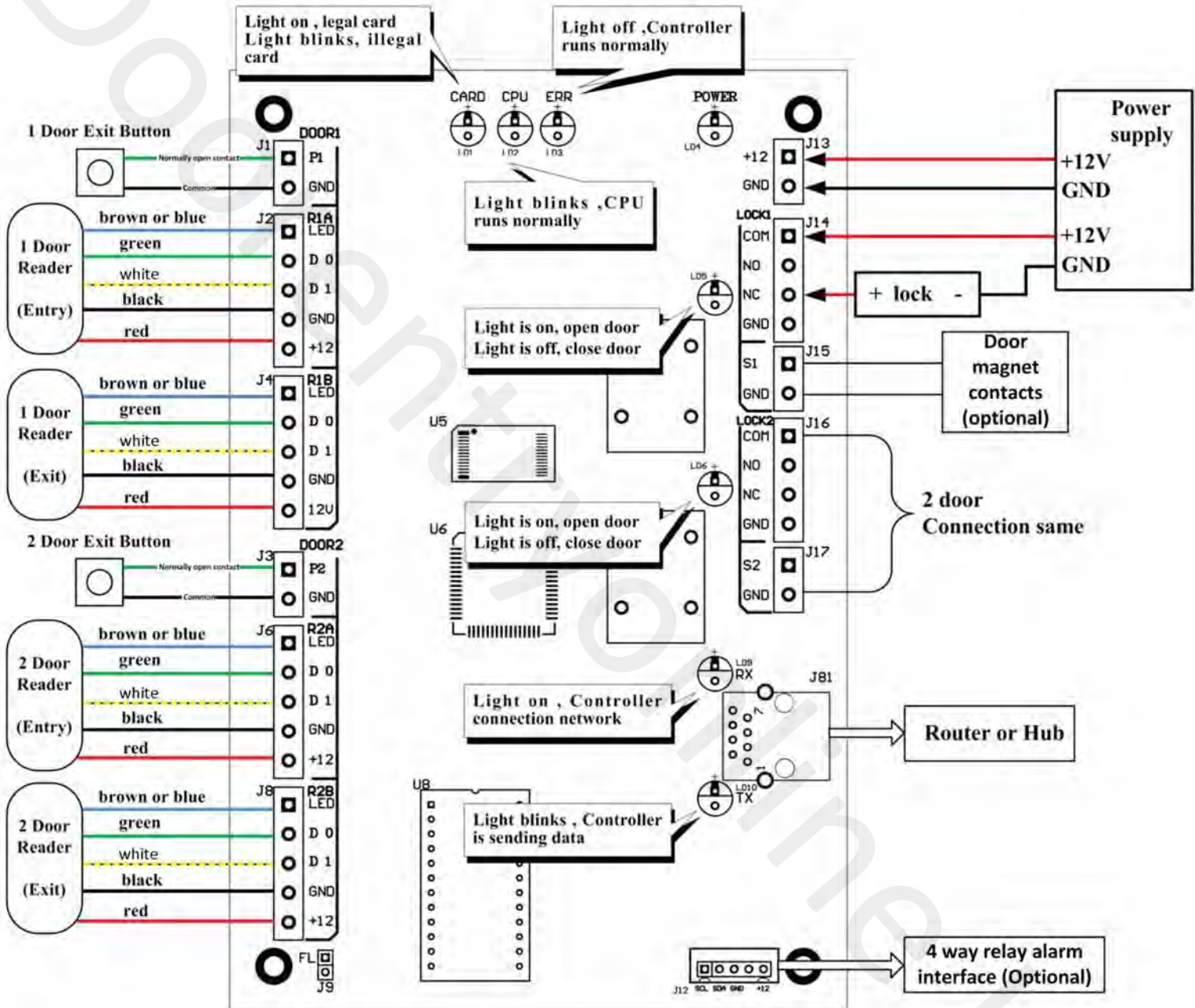


Drawing for 2002.Net



Important note:

Exit button connections required are "push to make" (Common & normally open)

Lock device must be set to 12v dc

**Double gate
bidirectional network controller**