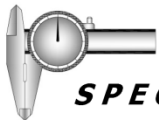


## 600-D-LED



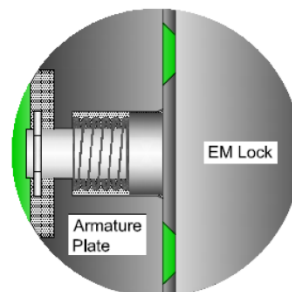
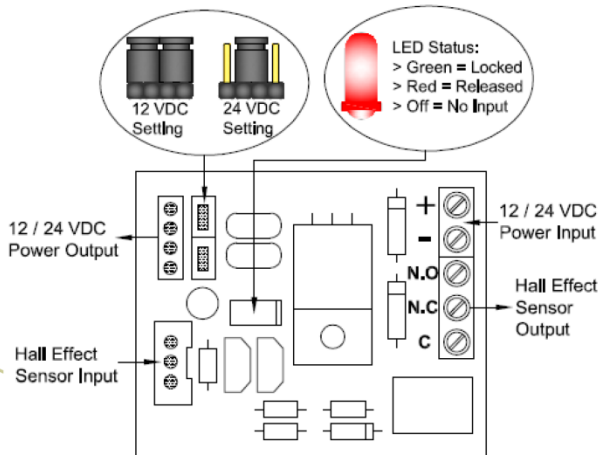
### SPECIFICATIONS:

- **Voltage Input** : 12 VDC / 24 VDC (per Magnet)
- **Current Draw** : 12V / 500mA ; 24V / 250mA (±5%)
- **Holding Force** : Up to 600 lbs x2 (272 kg x2)
- **Hall Effect Contact** : SPDT rated 2A at 24 VDC
- **Anti-Rust Surface Treatment** : Blue Zinc Plating
- **Operating Temperature** : 0~55° C ( 32~131° F)
- **Operating Humidity** : 0~95% ( non condensing)
- **Weight ( Magnet )** : 2.2 kg (±1%)
- **Dimensions** : Magnet - (L)500x(W)42x(T)25 mm  
Armature - (L)180x(W)38x(T)11 mm

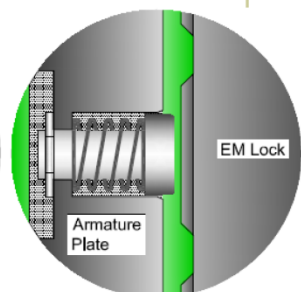


### FEATURES:

- **Ideal for Double Swing Doors**
- **Dual Voltage Selectable (12 VDC or 24 VDC)**
- **Low Current Consumption**
- **Reliable Holding Force**
- **Hall Effect Sensor Monitoring Output**
- **Green/Red LED Indication for EM Lock Status**
- **Durable and Silence Operation**
- **Cosmeticize Anodized Aluminum Casing**
- **Surge & Spike Protection PCB**
- **Anti-Tamper Jam Nuts**
- **Full Range of Optional Brackets**
- **Anti Residual Magnetism Kick Off Button**



EM Lock Energized



EM Lock De-energized

### IMPORTANT!

Set the jumper position according to the power Input correctly before switch ON the power.