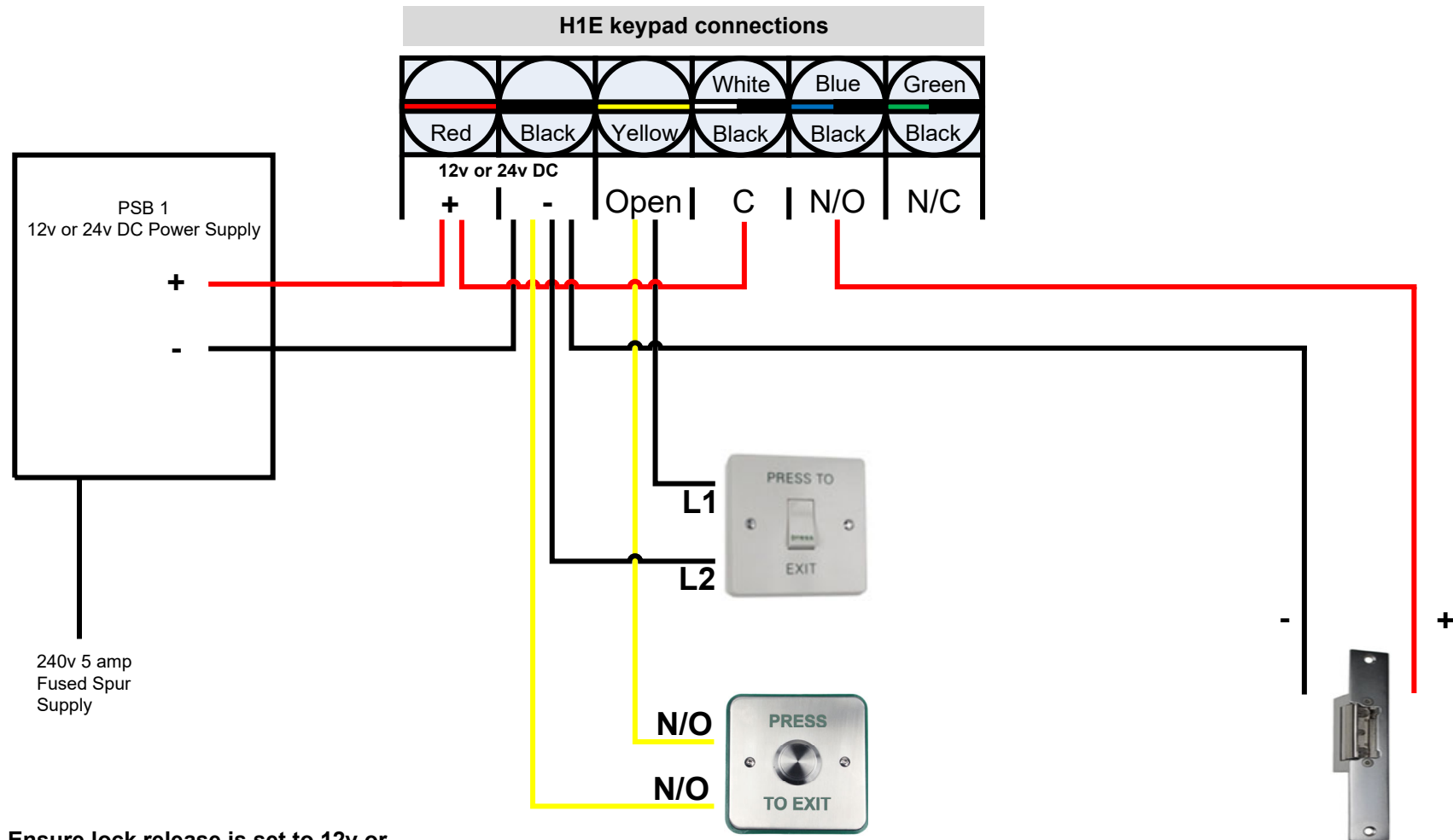
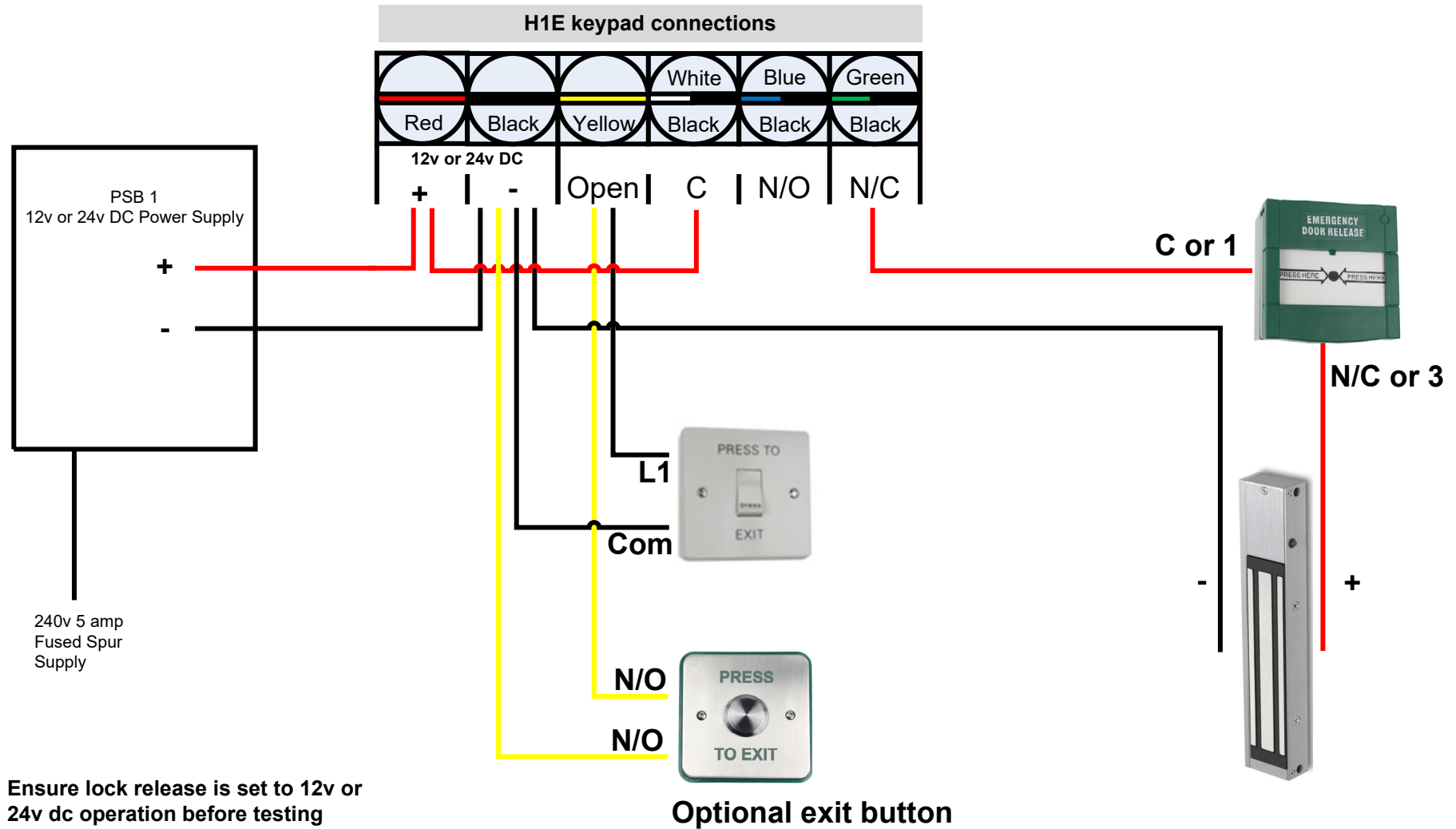


Access control system with lock release

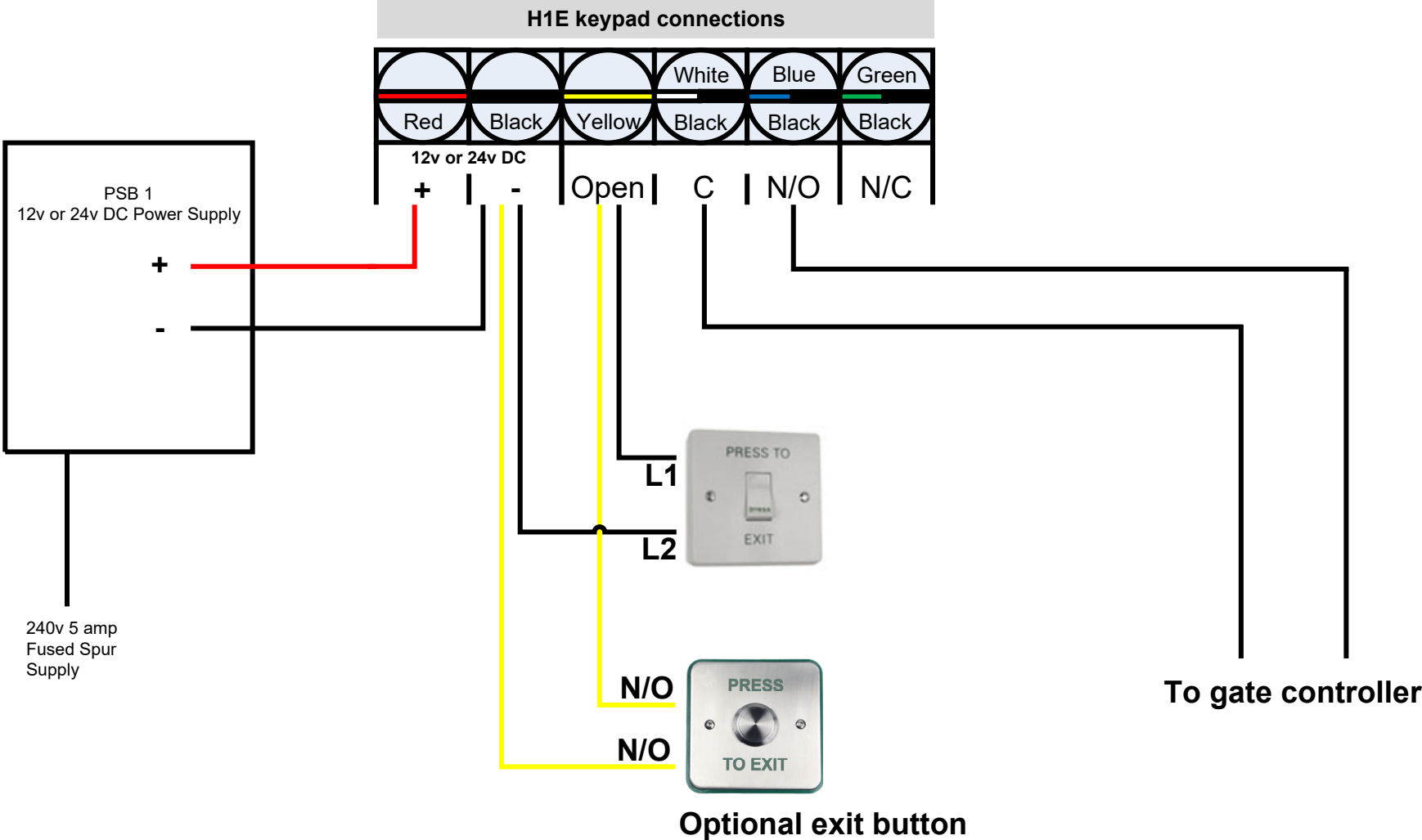


Ensure lock release is set to 12v or 24v dc operation before testing

Access control system with magnetic lock



Access control system to gate controller



Access control system with magnetic lock & additional reader

