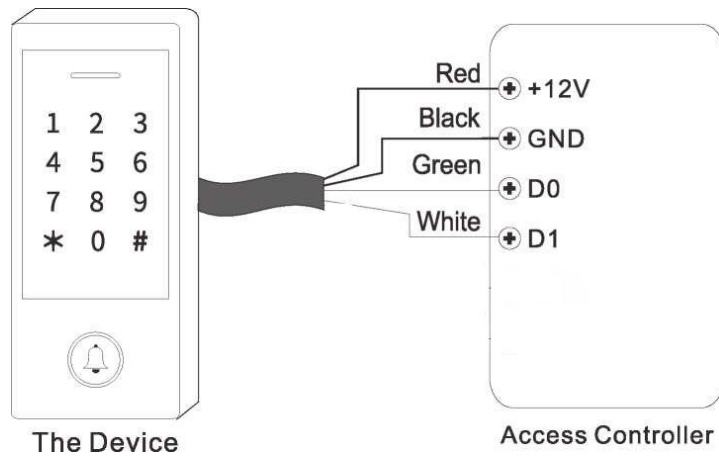


Connection to a 3rd party Wiegand controller or our PC access control system AC8001/2

Set Operation Mode – Wiegand

Image below for illustration purposes



Programming Step	Remote Control Operation
1. Enter Program Mode	* (Master Code) #
2. Wiegand Reader Operation	78 #
4. Exit Program Mode	*

Set Operation Mode to Wiegand format: Connect the Red & Black wires ONLY, then turn the power supply on. Enter programming mode via the remote-control unit, enter * **(Master Code)** # **78** # * and that's it

When complete, connect the remaining green & white wires to the control board and add cards or key fobs to the system as per the AC8000 Setup Guide Programming

- * Please ensure the Green wire is connected to terminal marked D0 on the control board you have
- ** Please ensure the White wire is connected to terminal marked D1 on the control board you have
- *** No other wires are required and please ensure they are