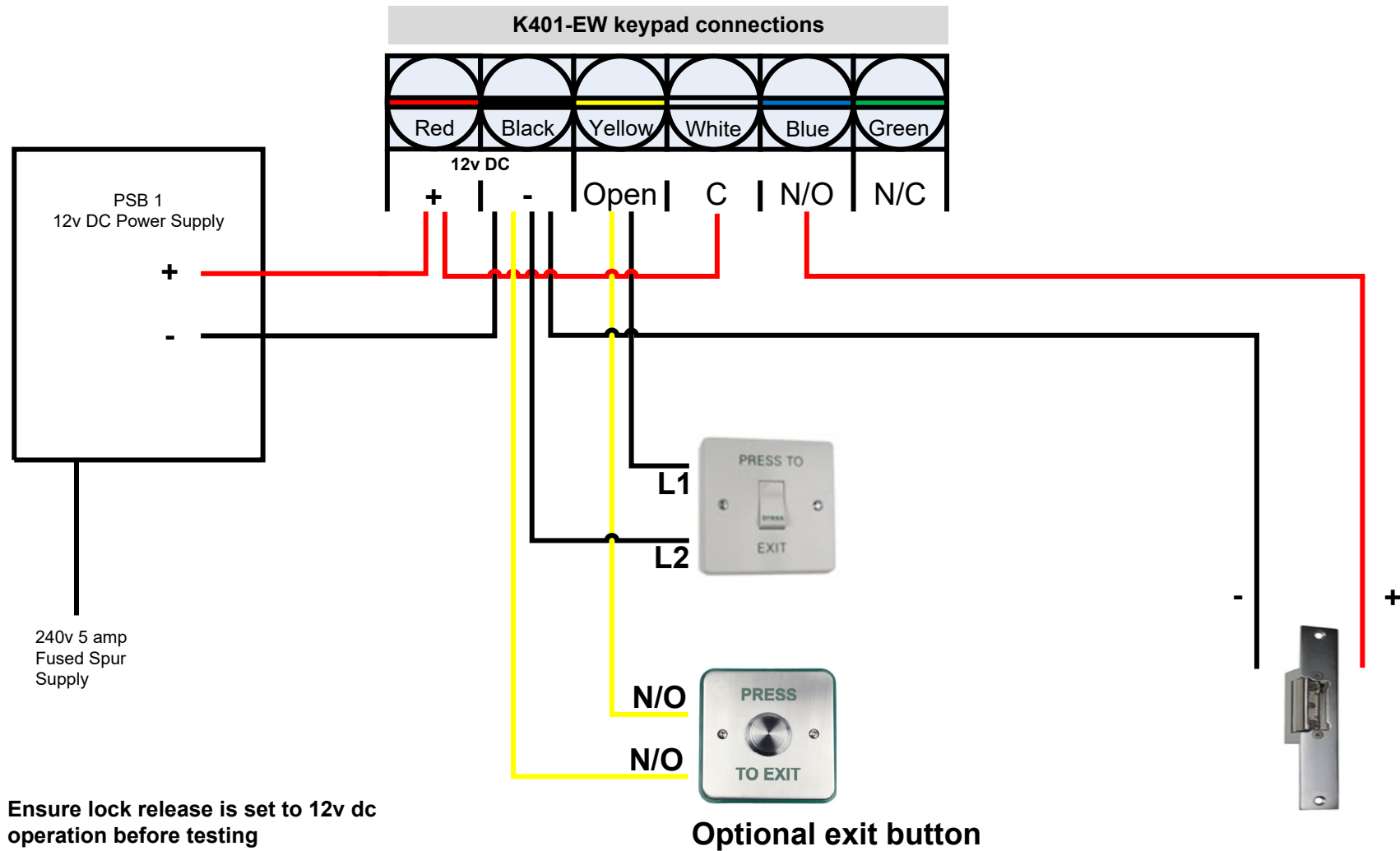
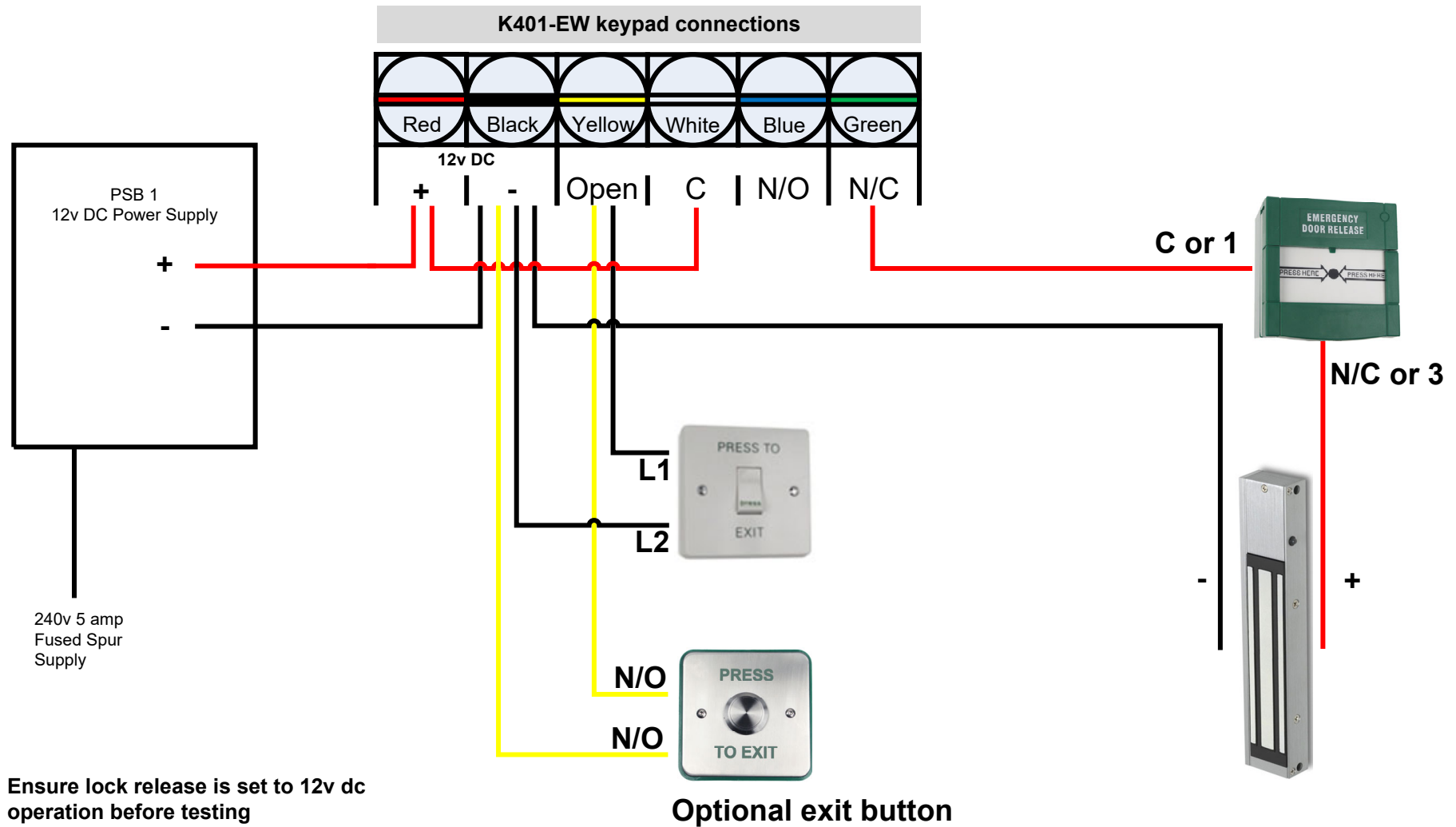


# Access control system with lock release



# Access control system with magnetic lock



Ensure lock release is set to 12v dc operation before testing

# Access control system to gate controller

