

The Digital keypad K401-EW is an IP66 rated 12v-DC fully featured self-contained high security digital keypad, proximity card and key fob reader manufactured from vandal resistant electroplated Zinc Alloy - ideal for internal use or external use

A cost effective '3 in 1' keypad with a huge specification providing PIN, key fob or PIN & key fob access

4 - 6 PIN with # button to confirm access

Internal/external use

Main features

Rain hood: No, not required

Input: 12v-DC input

Current rating: 50ma

IP rating: IP66, weather resistant and vandal resistant

Keypad: Back - lit blue illuminated button keypad

Back box: Vandal resistant electroplated Zinc Alloy & epoxy resin filled with a sheathed 450 mm cable tail

User codes: 990 User codes and/or key fobs or cards for relay 1

User codes: 10 Visitor User codes and/or key fobs or cards for relay 1

Card or key fob: The keypad uses standard EM-RFID proximity cards or key fobs

Relay outputs: One, maximum relay output @ 3amp with N.C. & N.O. contacts

Relay output timers: One from 1 second to 99 seconds

Exit button input: Yes

Fitting: Surface mount

Size: 120h x 76w x 25d mm

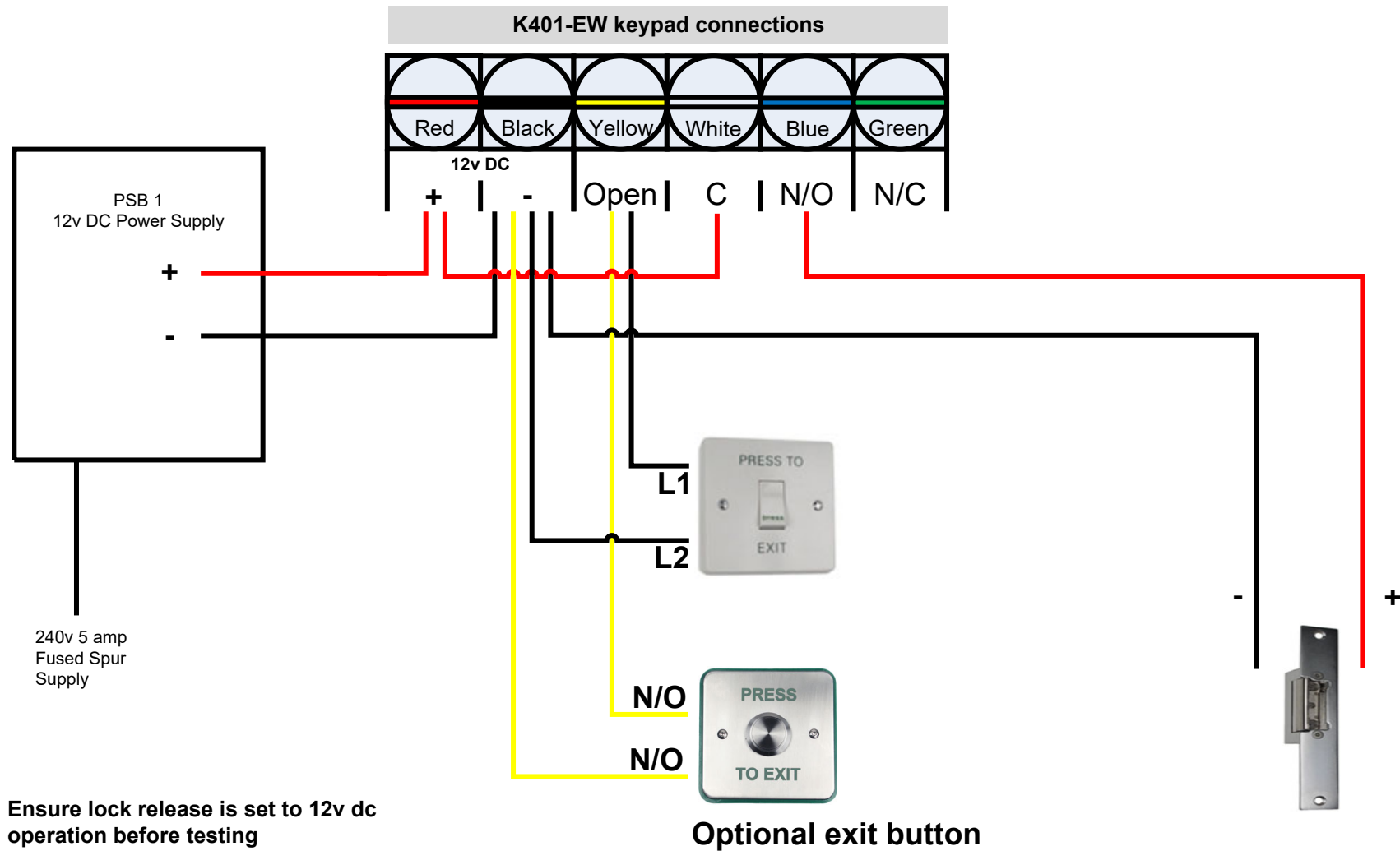
Cable tail size: Sheathed 450 mm

A) All features are keyboard programmable

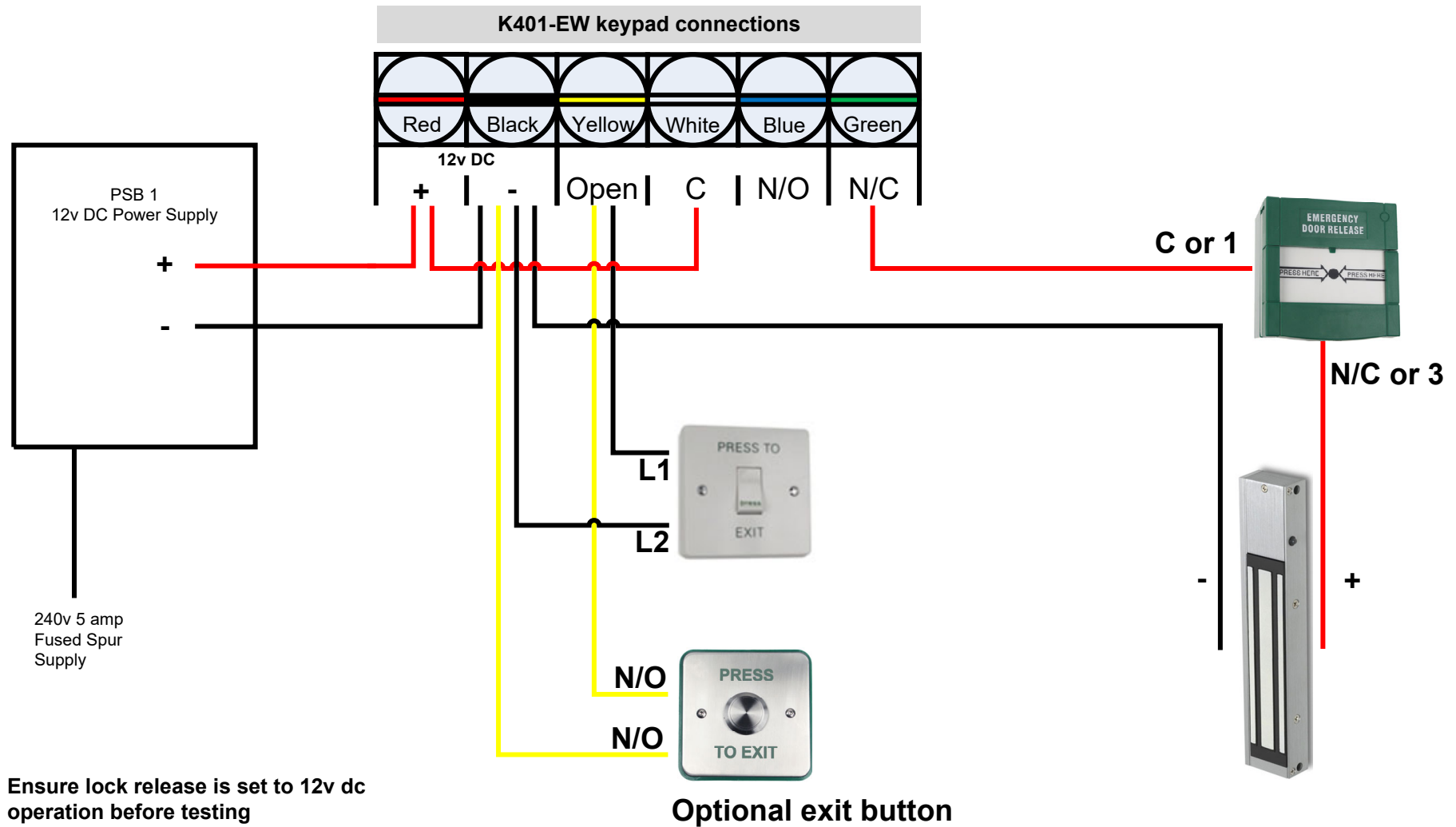
B) Non-volatile memory in the event of a power failure

C) 3 LED display indication status

Access control system with lock release



Access control system with magnetic lock



Access control system to gate controller

