

Drawer (Cabinet) Lock

The EC-C2000-290 series drawer (cabinet) lock are designed to secure drawers and cabinets. The EC-C2000-290/L/B/BL drawer (cabinet) lock without any keys, the EC-C2000-290S/SL drawer (cabinet) lock with keys. The addition of a keypad or remote control of your choice provides true access control and convenience of use.

Model No.	Specification (Unit:mm)	Working voltage	Working current	Low current draw	Backset	Holding force	Operation	Lock status signal	Emergency key	Remarks
EC-C2000-290	L91 x W30 x H28	DC12V	300mA	3.6W	6mm	600lb(300kg)	Fail Secure, unlocked when energized	NO	NO	DC24V can be customized.
EC-C2000-290L	L91 x W30 x H28						Fail Secure, unlocked when energized	YES	NO	
EC-C2000-290B	L91 x W30 x H28						Fail Safe, locked when energized	NO	NO	
EC-C2000-290BL	L91 x W30 x H28						Fail Safe, locked when energized	YES	NO	
EC-C2000-290S	L134 x W30 x H28						Fail Secure, unlocked when energized	NO	YES	
EC-C2000-290SL	L134 x W30 x H28						Fail Secure, unlocked when energized	YES	YES	

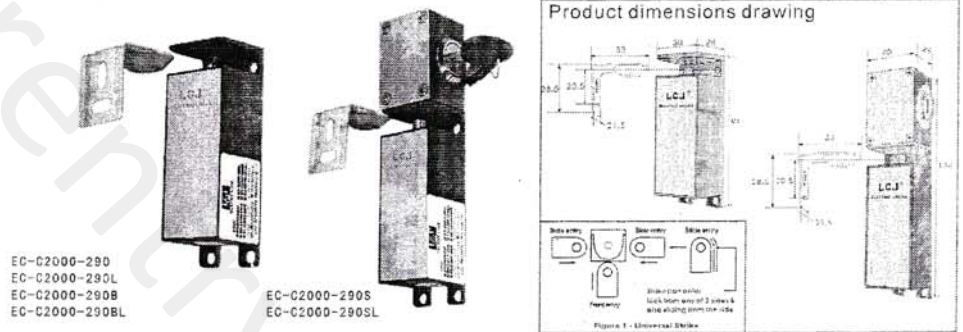
Applications

The cabinet lock provides the ability to electronically secure cabinets and drawers including:

- Pharmaceutical Cabinets and Drawers
- Retail Display Cases & Drawers
- Gun Cabinets
- Cash Drawers
- File Cabinets
- Utility Cabinets & Drawers
- Museum Display Cases

Features

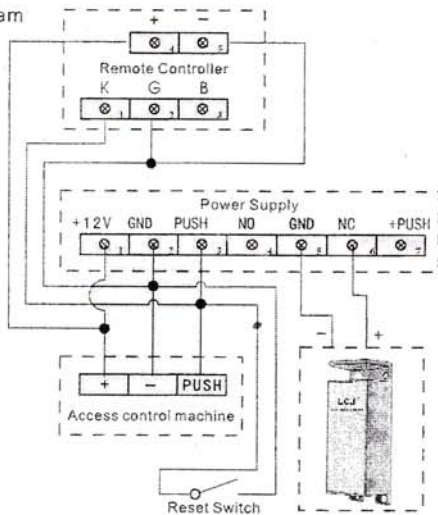
- Opening mode: See the Figure 1-Universal Strike
- For sliding doors (See Figure 2/4- Sliding Doors, on the next page) or swinging doors (See Figure 3/5- Swinging Doors, on the next page) Non - Handed



Installation Instructions and Wiring Diagram

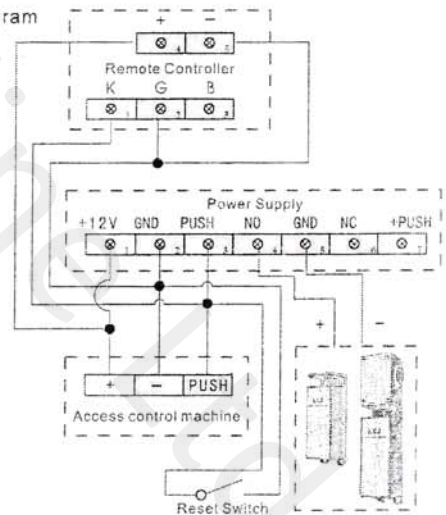
Fail Safe wiring diagram

Suitable for
•EC-C2000-290B
•EC-C2000-290BL



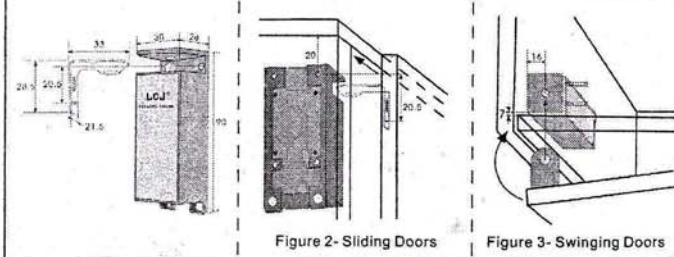
Fail Secure wiring diagram

Suitable for
•EC-C2000-290
•EC-C2000-290L
•EC-C2000-290S
•EC-C2000-290SL



Without key cylinder installation diagram

(Suitable for EC-C2000-290/ EC-C2000-290L/ EC-C2000-290B/ EC-C2000-290BL)



With key cylinder installation diagram

(Suitable for EC-C2000-290S/ EC-C2000-290SL)

