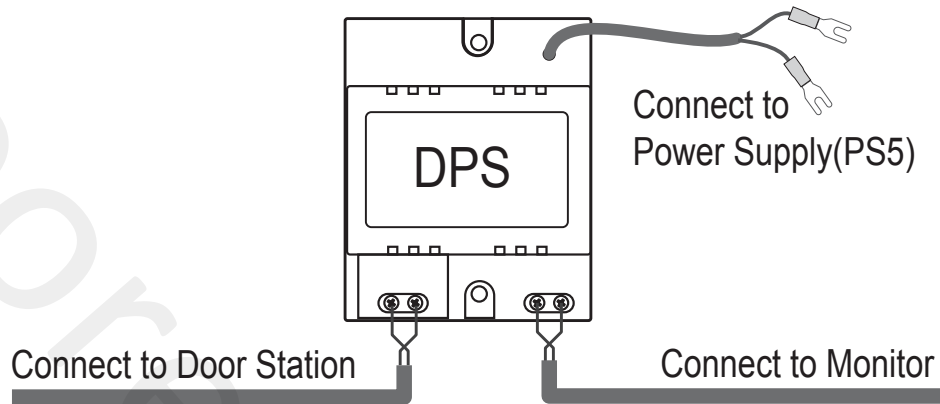


DPS

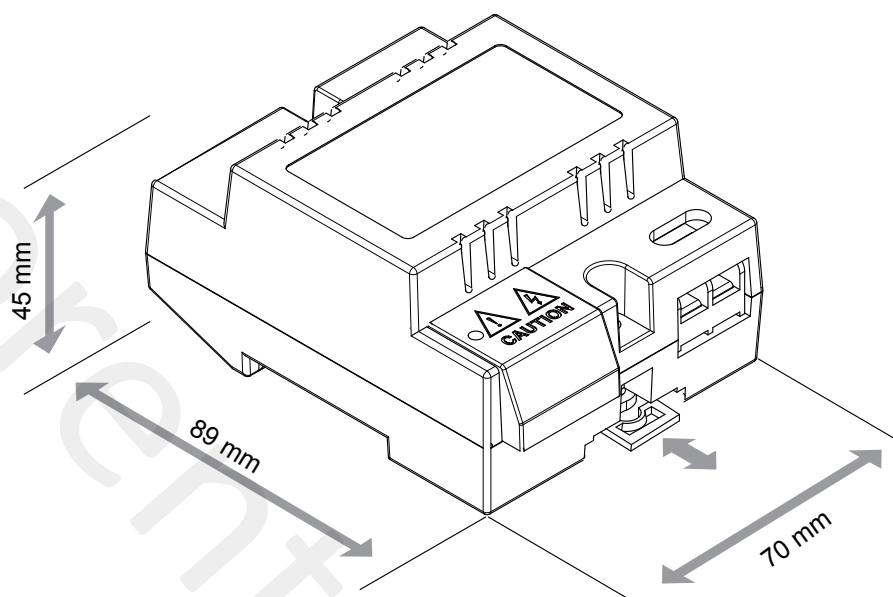
DPS: This unit is a power supply adaptor for the PS5 or PS4 power supply, it transfers the power from the power supply to the suitable power for the non-polarity bus. Note that the DPS must work together with the PS5 or PS4 power supply.



Technical Specifications(DPS)

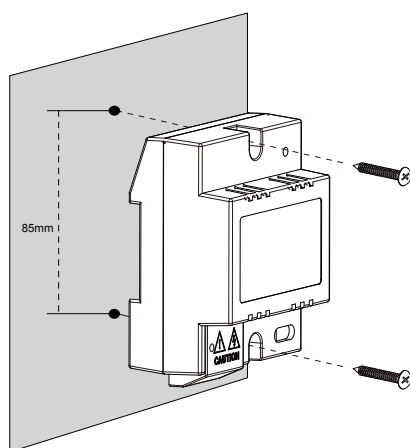
Power input:	24Vdc (supplied by PS5)
Power output:	18Vdc
Power Consumption:	0.25W in standby, 0.5 W in acting
Working temperature:	-5°C +45°C

DPS Dimensions



Direct Wall Mounting

Use the screws to fasten the unit on the wall directly.



DIN Rail Mounting

Install on the DIN Rail.

