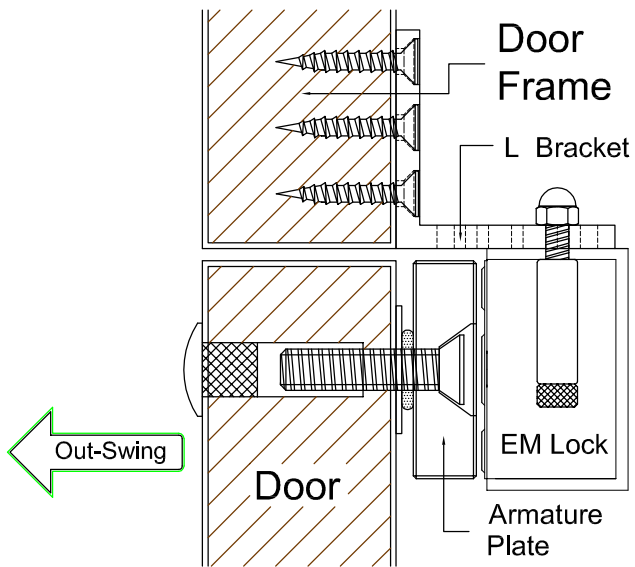
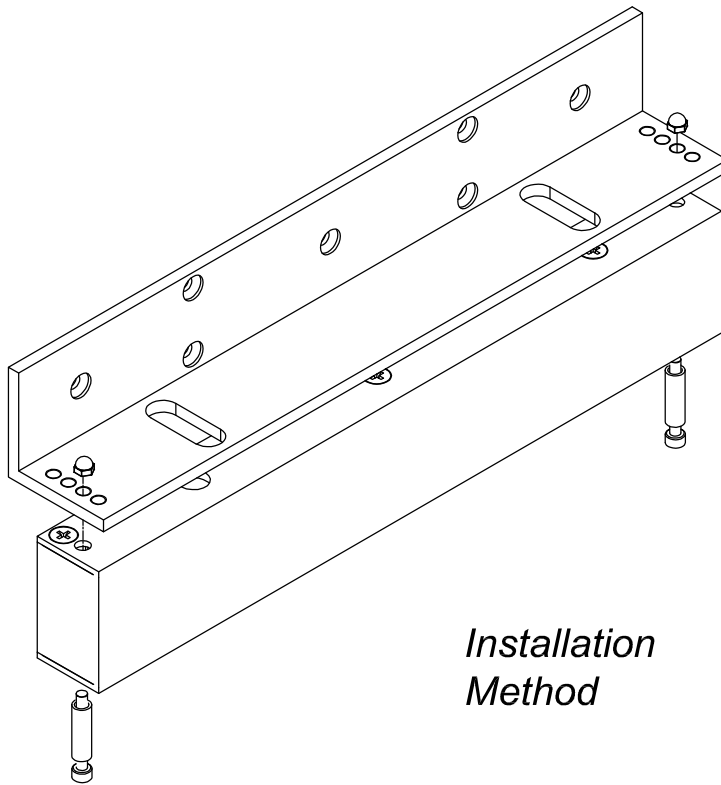
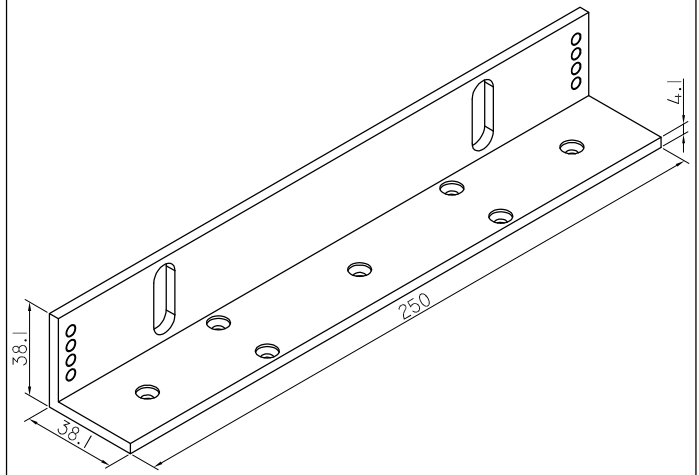


# L Bracket

## Bracket Application



## Specifications ( Unit = mm)



*Installation  
Method*