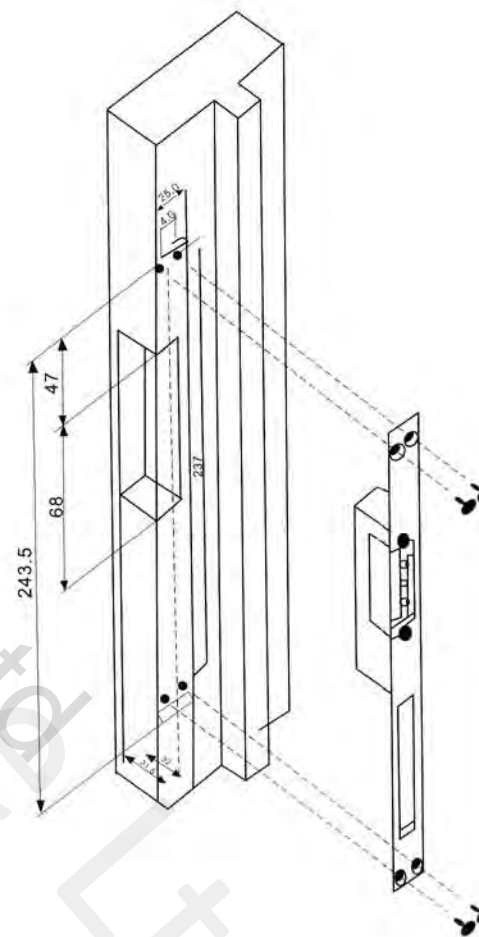
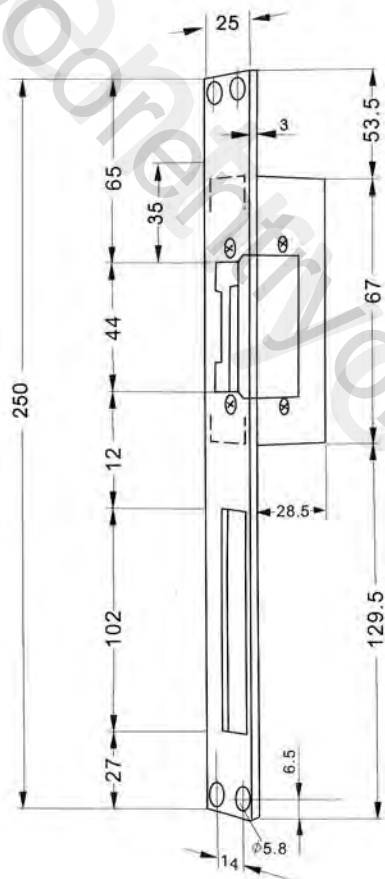
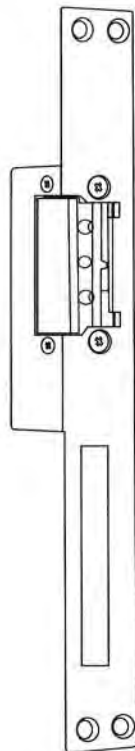


# ELECTRIC STRIKE



## INSTALLATION



### SPECIFICATION

FACE PLATE: 250LX25WX31.5H(MM)  
VOLTAGE: 12VDC  
CURRENT: 700mA