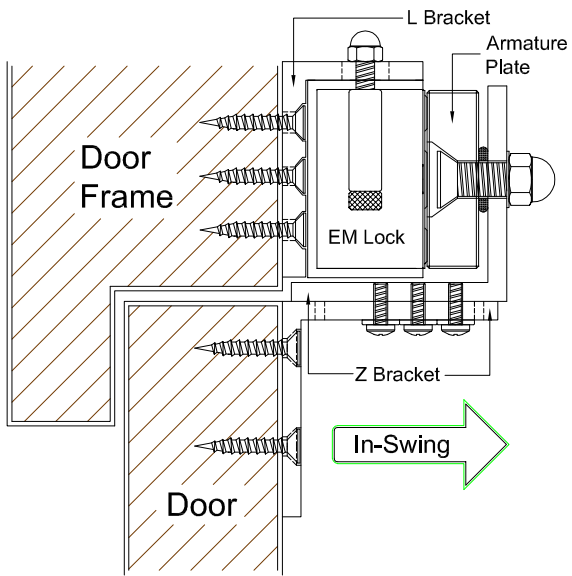
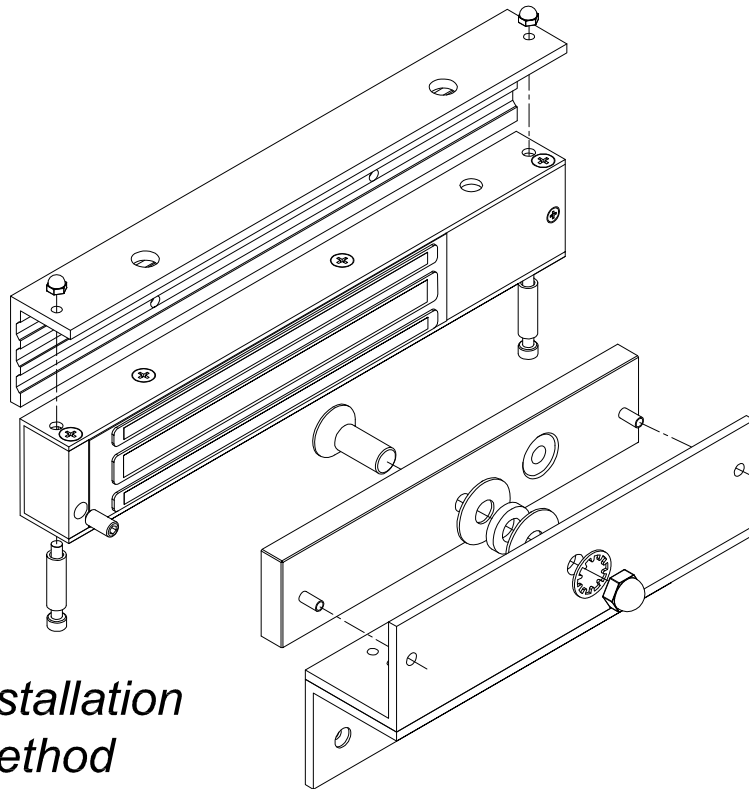
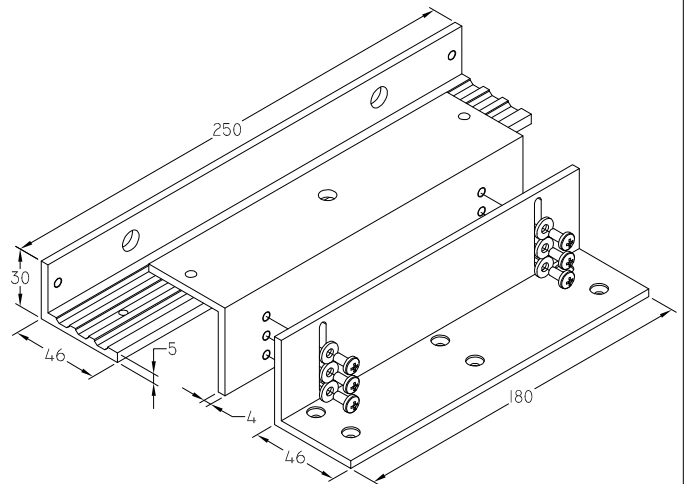


ZL Bracket

Bracket Application



Specifications (Unit = mm)



*Installation
Method*